

DUMPS ARENA

Fortinet NSE 7 - OT Security 6.4

Fortinet NSE7 OTS-6.4

Version Demo

Total Demo Questions: 5

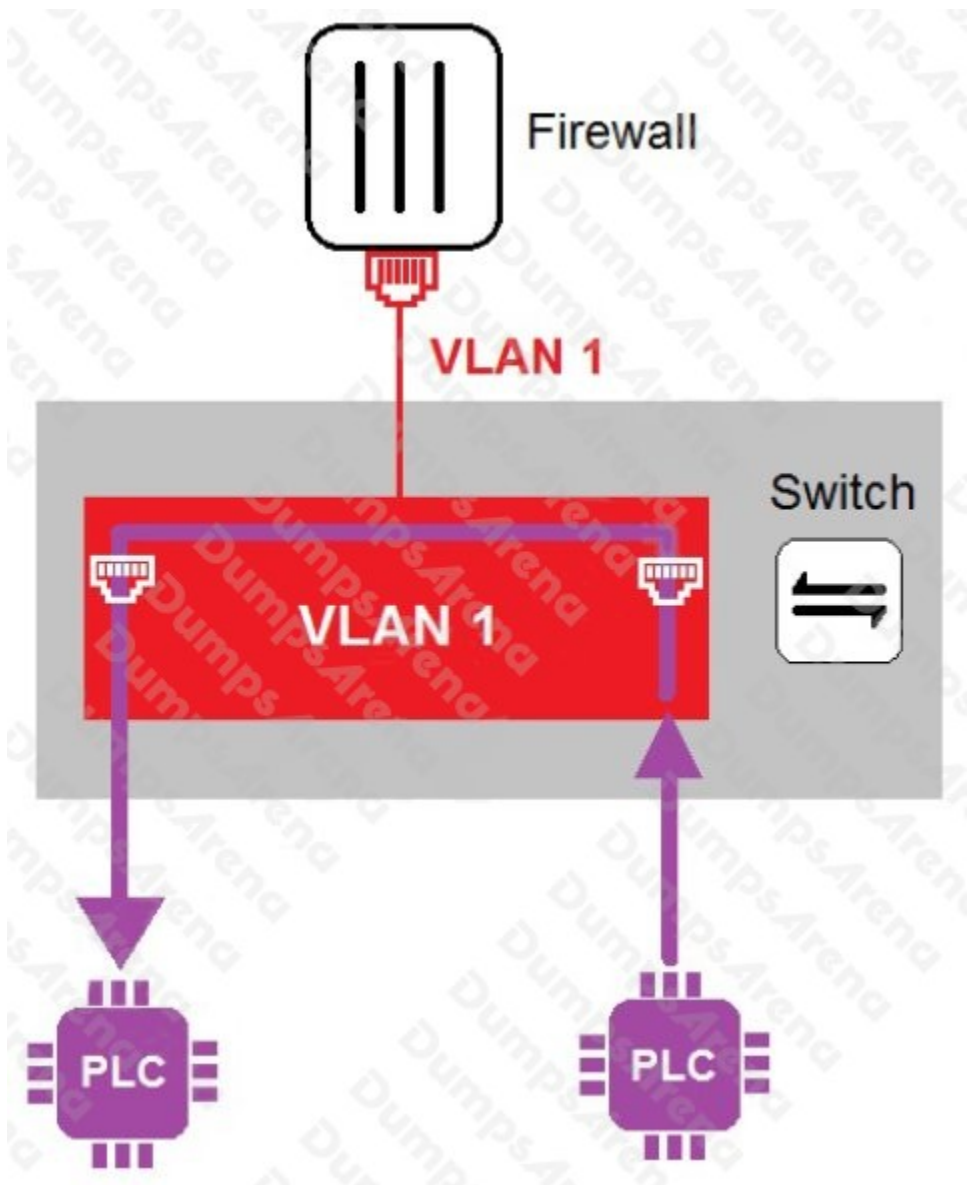
Total Premium Questions: 35

Buy Premium PDF

<https://dumpsarena.co>

sales@dumpsarena.co

sales@dumpsarena.co
dumpsarena.co



In the topology shown in the exhibit, both PLCs can communicate directly with each other, without going through the firewall.

Which statement about the topology is true?

- A. PLCs use IEEE802.1Q protocol to communicate each other.
- B. An administrator can create firewall policies in the switch to secure between PLCs.
- C. This integration solution expands VLAN capabilities from Layer 2 to Layer 3.
- D. There is no micro-segmentation in this topology.

ANSWER: D

QUESTION NO: 3

An OT supervisor needs to protect their network by implementing security with an industrial signature database on the FortiGate device.

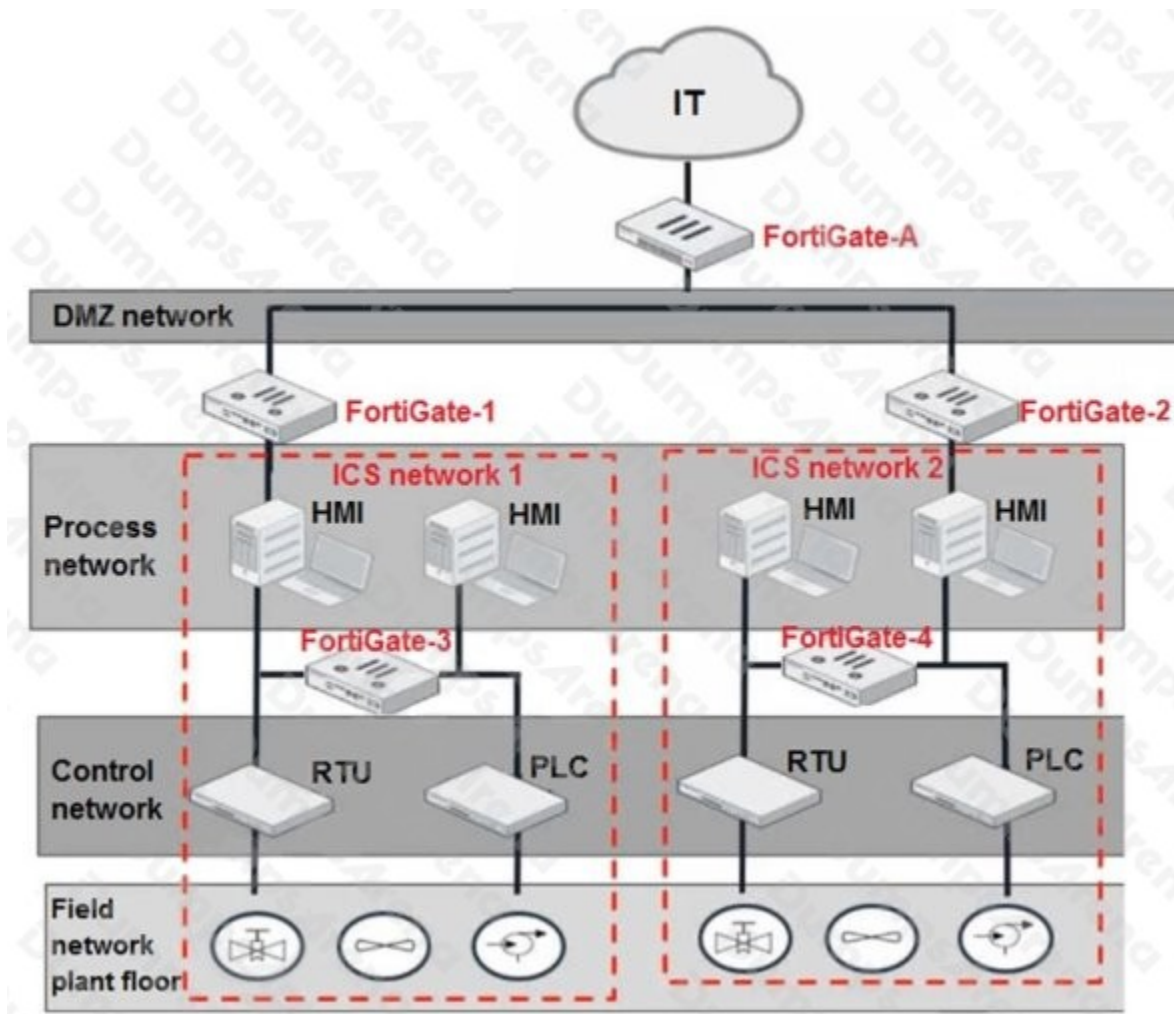
Which statement about the industrial signature database on FortiGate is true?

- A.** A supervisor must purchase an industrial signature database and import it to the FortiGate.
- B.** An administrator must create their own database using custom signatures.
- C.** By default, the industrial database is enabled.
- D.** A supervisor can enable it through the FortiGate CLI.

ANSWER: D

QUESTION NO: 4

Refer to the exhibit.



Based on the topology designed by the OT architect, which two statements about implementing OT security are true? (Choose two.)

- A. Firewall policies should be configured on FortiGate-3 and FortiGate-4 with industrial protocol sensors.
- B. Micro-segmentation can be achieved only by replacing FortiGate-3 and FortiGate-4 with a pair of FortiSwitch devices.
- C. IT and OT networks are separated by segmentation.
- D. FortiGate-3 and FortiGate-4 devices must be in a transparent mode.

ANSWER: A C

QUESTION NO: 5

An OT administrator deployed many devices to secure the OT network. However, the SOC team is reporting that there are too many alerts, and that many of the alerts are false positive. The OT administrator would like to find a solution that eliminates repetitive tasks, improves efficiency, saves time, and saves resources.

Which products should the administrator deploy to address these issues and automate most of the manual tasks done by the SOC team?

- A. FortiSIEM and FortiManager
- B. FortiSandbox and FortiSIEM
- C. FortiSOAR and FortiSIEM
- D. A syslog server and FortiSIEM

ANSWER: C