

# DUMPS ARENA

## CCIE SP Cable Qualification Exam

Cisco 350-021

Version Demo

Total Demo Questions: 15

Total Premium Questions: 399

Buy Premium PDF

<https://dumpsarena.co>

[sales@dumpsarena.co](mailto:sales@dumpsarena.co)

[sales@dumpsarena.co](mailto:sales@dumpsarena.co)  
[dumpsarena.co](https://dumpsarena.co)

**QUESTION NO: 1**

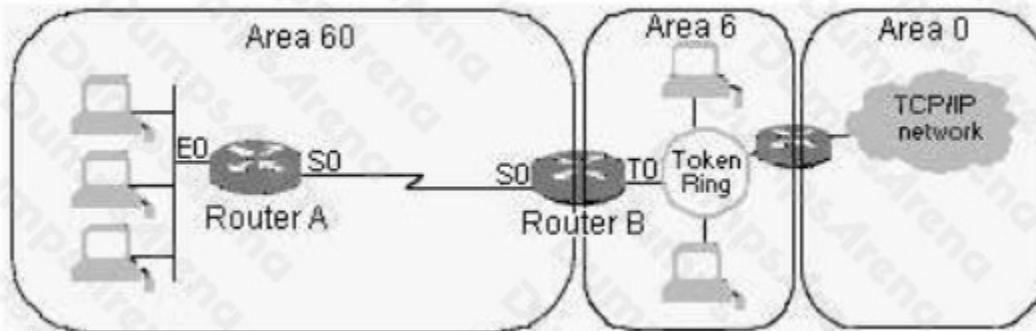
With CGMP enabled, which are unique about the following MAC address range: 01-00-5E-00-00-00 to 01-00-5E-00-00-FF? (multiple answer)

- A. CGMP does not prune those MAC addresses.
- B. They contain the CGMP Multicast addresses for the IGMP Leaves and IGMP Queries.
- C. CGMP filters those MAC addresses when they arrive at the processor
- D. They are the reserved IP addresses of 224.0.0.0 to 224.0.0.255 for forwarding local IP multicast traffic in a single Layer 3 hop.

**ANSWER: A B D**

**QUESTION NO: 2**

In a reorganization, OSPF areas are realigned. Is this a valid network design? If not, which changes could be made to the network and/or router configurations? (multiple answer)



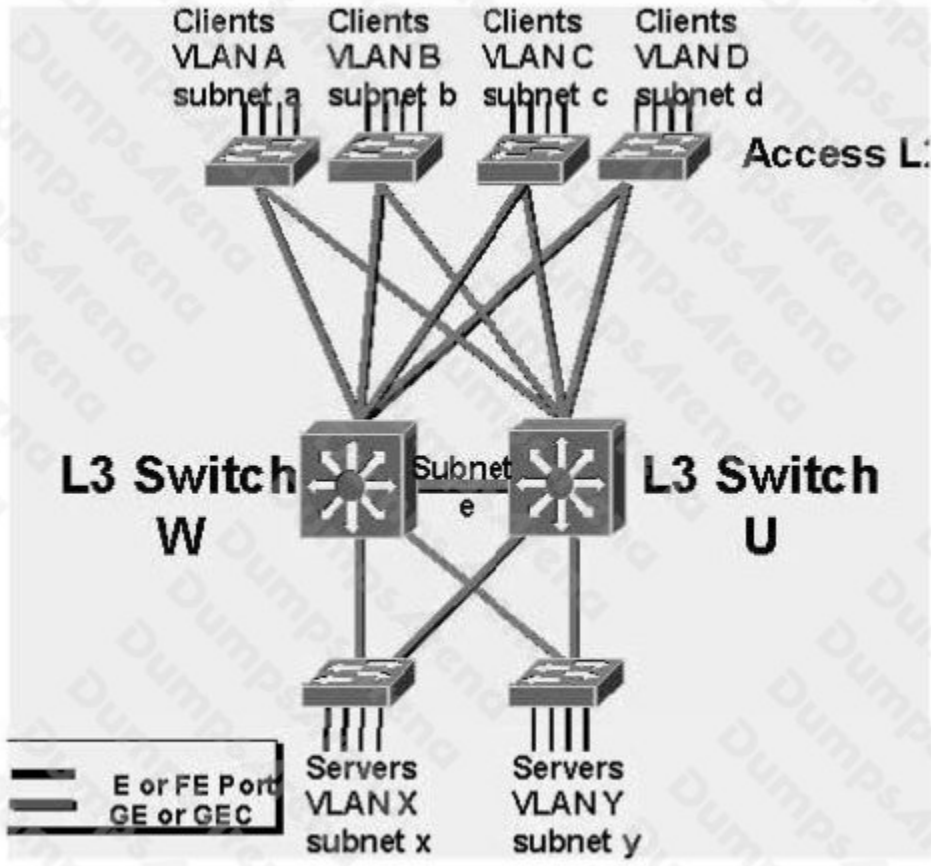
- A. No changes are necessary.
- B. A virtual link could be configured between Area 60 and Area 0.
- C. A serial line or other physical connection could be installed between devices in Area 60 and Area 0.
- D. Router B could be configured as an Area Border Router between Area 60 and Area 6.
- E. This is not a valid design, and no changes can make it work.

**ANSWER: B C**

**QUESTION NO: 3**

The diagram shows a collapsed L3 switched building backbone consisting of two L3 switches: W and U. Each L3 switch has a routed interface on every subnet (VLAN) in the building. There are no VLAN trunks in the network. In other words the L3 switches are acting as native routers. There are exactly 4 client-side VLANs (subnets): a, b, c, d. There are exactly 2 server-side VLANs (subnets): x and y. There is one routed link (Subnet e) connecting the L3 switches in the core. How many equal-cost paths to Subnet d does L3

Switch W keep in its routing table?



- A. 1
- B. 2
- C. 3
- D. 4
- E. 5

**ANSWER: A**

**QUESTION NO: 4**

According to the MGCP call flow shown, from what line can it be deduced that Call agent requests notification about an on hook condition?

```
21:50:26: MGCP Packet received <---  
RQNT 1825 aaln/S1/SU0/1@c26001.atl0.cbeyond.net MGCP 0.1  
N: mgcp.aSCT1CA.atl0.cbeyond.net:2427  
X: 50  
R: L/hu(N),D/[0-9#*T](D)  
S: L/dl
```

- A. N
- B. X
- C. R
- D. S
- E. RQNT

**ANSWER: C****QUESTION NO: 5**

Which are HFC cable television forward path networks aligned to provide? (multiple answer)

- A. For asymmetrical gain since the downstream and upstream bandwidths are also asymmetrical
- B. For unity gain with a fixed input level and varying output levels adjusted by the selection of a fixed value attenuator and equalizer at the output stage in each of the forward amplifiers in the network
- C. For unity gain with a fixed output level and varying input levels adjusted by the selection of a fixed value attenuator & equalizer at the input stage of each of the forward amplifiers in the network
- D. It is not necessary to align the forward path amplifiers since the CMTS will automatically compensate for forward path gain discrepancies.
- E. For unity gain and are level compensated by automatic gain and slope control systems utilizing RF pilot reference carriers

**ANSWER: C E****QUESTION NO: 6**

Which are the correct ways to release IBGP from the condition that all IBGP neighbors need to be fully meshed? (multiple answer)

- A. Configure local preference
- B. Configure route reflectors
- C. Configure IBGP neighbors several hops away
- D. Configure confederations

**ANSWER: B D**

#### QUESTION NO: 7

In order to enable baseline privacy, which are the minimum items required? (multiple answer)

- A. Crypto images on the CMs and CMTSs
- B. Class-of-Service Privacy Enable (0/1): 1
- C. Have P images on the CMs and CMTSs
- D. CMTS Authentication (0/1): 1
- E. cable shared-secret [0 | 7] authentication-key

**ANSWER: A B**

#### QUESTION NO: 8

According to the MGCP call flow shown, from what line can it be deduced that call agent is requesting that this residential gateway collect digits?

```
21:50:26: MGCP Packet received <---  
RQNT 1825 aaln/S1/SU0/1@c26001.atl0.cbeyond.net MGCP 0.1  
N: mgcp.aSCT1CA.atl0.cbeyond.net:2427  
X: 50  
R: L/hu(N),D/[0-9#*T](D)  
S: L/dl
```

- A. N
- B. X

- C. R
- D. S
- E. RQNT

**ANSWER: C**

**QUESTION NO: 9**

Given an address of 10.1.1.1 with a subnet mask of 255.255.255.224, how many hosts can be addressed in this subnet?

- A. 16
- B. 15
- C. 30
- D. 31
- E. 63

**ANSWER: C**

**QUESTION NO: 10**

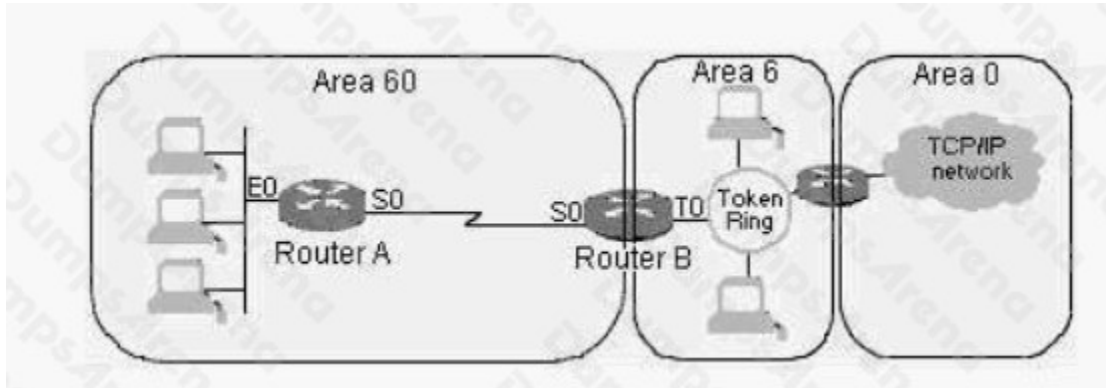
What command on the Ubr7246 can help find the possibility of a problem with ingress noise on cable x/y upstream? (multiple answer)

- A. Show controller cable x/y upstream z
- B. Debug cable mac log verbose
- C. Debug cable modulation
- D. Show cable hop
- E. Show int cable x/y upstream z

**ANSWER: A D E**

**QUESTION NO: 11**

In a reorganization, OSPF areas are realigned. Is this a valid network design? If not, which changes could be made to the network and/or router configurations? (multiple answer)



- A. No changes are necessary.
- B. A virtual link could be configured between Area 60 and Area 0.
- C. A serial line or other physical connection could be installed between devices in Area 60 and Area 0.
- D. Router B could be configured as an Area Border Router between Area 60 and Area 6.
- E. This is not a valid design, and no changes can make it work.

**ANSWER: B C**

**QUESTION NO: 12**

An incoming frame is received by a transparent bridge. If the destination address of the frame is not present in the database, the bridge will:

- A. Discard the frame
- B. Send out the frame on all interfaces, except on the interface where the frame originate
- C. Put the destination MAC address in the table
- D. Broadcast the frame on all interfaces
- E. None of the above

**ANSWER: B**

**QUESTION NO: 13**

What IOS command, entered on cisco cable modem with console access, is most valuable for determining the cause of a modem not being able to come on-line?

- A. show controller c 3/0 modem 0
- B. show interface c 3/0
- C. debug ip dhcp detail
- D. debug cable mac log verbose
- E. show cable modem

**ANSWER: D**

#### QUESTION NO: 14

What Q.931 message cannot be received in response to sending a Q.931 SETUP message?

- A. Alerting
- B. Call Proceeding
- C. Connect
- D. USER Information
- E. Progress

**ANSWER: D**

#### QUESTION NO: 15

Shown is a an output display of "show cable modem" which shows SID 7 in a state indicating that the:

```
surf#show cable modem
Interface Prim Online Timing Rec QoS CPE IP address MAC address
  Sid State  Offset Power
Cable2/0/U0 7 online(d) 2811 0.25 2 0 10.1.1.20 0030.96f9.65d9
Cable2/0/U0 8 online 2813 0.25 3 0 10.1.1.21 0030.96f9.6605
Cable2/0/U0 9 online 2812 -0.75 3 0 10.1.1.22 0050.7366.1e01
```

- A. DHCP request was sent and acknowledged
- B. Client has received an ip address
- C. Cable modem has completed the DHCP process

D. PCs cannot surf the Internet

E. Cable modems cannot ping the gateway

**ANSWER: D**