

DUMPS ARENA

Nutanix Certified Master

Nutanix NCM-MCI

Version Demo

Total Demo Questions: 10

Total Premium Questions: 99

Buy Premium PDF

<https://dumpsarena.co>

sales@dumpsarena.co

sales@dumpsarena.co
dumpsarena.co

QUESTION NO: 1

An administrator is managing multiple Windows and Linux VMs connected to Nutanix Volumes. The Linux VMs are experiencing intermittent connectivity issues. The Windows VMs do not experience the same issue.

Which option should the administrator use to resolve this issue?

- A. Utilize Jumbo Frames
- B. Add additional disks to the Volume Group
- C. Set the SCSI timeout value to 60
- D. Utilize a separate subnet for the Linux VMs

ANSWER: C**QUESTION NO: 2**

An administrator responsible for a VDI environment needs to investigate reports of slow logins. The administrator finds that increasing the number of vCPUs from 2 to 4 will reduce the login times. Production workloads are consuming 75% of the host CPU on the cluster. The administrator increases the vCPU count on all of the VDI VMs.

What are two impacts on the cluster? (Choose two.)

- A. Increase CPU utilization %
- B. Increase CPU ready %
- C. Increase memory utilization %
- D. Increasing CPU counts will decrease memory utilization

ANSWER: A B**QUESTION NO: 3**

An administrator wants to utilize Network Visualization to monitor the physical and logical network on the Nutanix cluster. The first-hop switch has LLDP enabled. The network switch information is still not being displayed.

What is causing this problem?

- A. The ISL between switches is not configured.
- B. SNMP is not configured properly.

- C. br0 and br1 are not defined.
- D. The cluster is using RDMA-enabled NICs.

ANSWER: B

QUESTION NO: 4

The following alert is generated on a cluster:

Block Serial Number: 168xxxxxxxxx4 alert_time: Tue Aug 06 2019 15:05:10 GMT-0800 (PST) alert_type: StargateTemporarilyDown alert_msg: A1030:Stargate on Controller VM cc.cc.cc.22 is down for 11057 seconds. cluster_id: 12345 alert_body: No Alert Body Available

Which two actions should the administrator take to make sure there is no service impact? (Choose two.)

- A. Verify that the Controller VM is running and reachable through the network
- B. Verify that there is an HA route inserted on the host and Stargate is up
- C. Verify that the hypervisor is running and reachable through the network
- D. Verify that there are stargate.FATAL files on cc.cc.cc.22 and delete them

ANSWER: A C

Explanation:

Reference: <https://portal.nutanix.com/page/documents/kbs/details?targetId=kA032000000TVMhCAO>

QUESTION NO: 5

An administrator notices several slow VMs. While researching the situation, the administrator notices that slow VMs have a high CPU Ready Time.

Which is an accurate definition of CPU Ready Time?

- A. The ratio of VM wait time to the total CPU time allotted to the VM in percentage
- B. The ratio of VM idle time to the total CPU time allotted to the VM in percentage
- C. The ratio of VM run time to the total CPU time allotted to the VM in percentage
- D. The ratio of VM swap time to the total CPU time allotted to the VM in percentage

ANSWER: A

Explanation:

Ratio of the VM wait time to the total CPU time allotted to the VM in percentage.

Reference: https://portal.nutanix.com/page/documents/details?targetId=Prism-Central-Guide-Prism-v6_0:mul-alerts-user-created-metrics-r.html

QUESTION NO: 6

A systems administrator needs to add more VMs to their Nutanix cluster.

Which two actions should the administrator perform to determine if the current cluster could accommodate the new VMs? (Choose two.)

- A. Perform an Inventory with Life Cycle Management.
- B. Determine utilization with Cluster Runway.
- C. Enable Deduplication and Erasure Coding.
- D. Utilize Optimize Resources for VM efficiency.

ANSWER: B D**QUESTION NO: 7**

An administrator is responsible for the following Nutanix Enterprise Cloud environment:

- A central datacenter with a 20-node cluster with 1.5PB of storage
- Five remote sites each with a 4-node cluster with 200TB storage

The remote sites are connected to the datacenter via 1GB links with an average latency of 6 ms RTT.

What is the minimum RPO the administrator can achieve for this environment?

- A. 0 minutes
- B. 15 minutes
- C. 1 hour
- D. 6 hours

ANSWER: B**QUESTION NO: 8**

A VDI environment based on AHV Cluster is not performing well. The current environment is using only one bridge (Bridge0). The administrator needs to verify if nodes are using all network cards associated to Bridge0.

Which two menus should be used to check the current configuration? (Choose two.)

- A. Host NICs tab in Hardware menu
- B. I/O Metrics tab in VM menu
- C. Host view in Network menu
- D. Network Configuration item in Settings menu

ANSWER: A C

Explanation:

Reference:

https://support.riverbed.com/bin/support/static/5u0vo108i9o4emsu8693hdrbnu/html/kl9rr6g1lh19kbhjod46tl1gpu/sf_core_4.5_ug_html/index.html#page/sf_core_4.5_ug_html/setupHostSettings.html

QUESTION NO: 9 - (HOTSPOT)

HOTSPOT

A system administrator needs to shut down an AHV node in a Nutanix cluster without causing service disruption. The administrator checks data resiliency and verifies that the cluster can tolerate a node down.

Which steps should the administrator perform next?

Hot Area:

Procedure	Step					
Put the host in maintenance mode	<table border="1"><tr><td>▼</td></tr><tr><td>Step 1</td></tr><tr><td>Step 2</td></tr><tr><td>Step 3</td></tr><tr><td>Invalid Step</td></tr></table>	▼	Step 1	Step 2	Step 3	Invalid Step
▼						
Step 1						
Step 2						
Step 3						
Invalid Step						
Shut down the CVM	<table border="1"><tr><td>▼</td></tr><tr><td>Step 1</td></tr><tr><td>Step 2</td></tr><tr><td>Step 3</td></tr><tr><td>Invalid Step</td></tr></table>	▼	Step 1	Step 2	Step 3	Invalid Step
▼						
Step 1						
Step 2						
Step 3						
Invalid Step						
Shut down the node	<table border="1"><tr><td>▼</td></tr><tr><td>Step 1</td></tr><tr><td>Step 2</td></tr><tr><td>Step 3</td></tr><tr><td>Invalid Step</td></tr></table>	▼	Step 1	Step 2	Step 3	Invalid Step
▼						
Step 1						
Step 2						
Step 3						
Invalid Step						
Power off the node	<table border="1"><tr><td>▼</td></tr><tr><td>Step 1</td></tr><tr><td>Step 2</td></tr><tr><td>Step 3</td></tr><tr><td>Invalid Step</td></tr></table>	▼	Step 1	Step 2	Step 3	Invalid Step
▼						
Step 1						
Step 2						
Step 3						
Invalid Step						
Allow VMs to start on the remaining nodes	<table border="1"><tr><td>▼</td></tr><tr><td>Step 1</td></tr><tr><td>Step 2</td></tr><tr><td>Step 3</td></tr><tr><td>Invalid Step</td></tr></table>	▼	Step 1	Step 2	Step 3	Invalid Step
▼						
Step 1						
Step 2						
Step 3						
Invalid Step						

ANSWER:

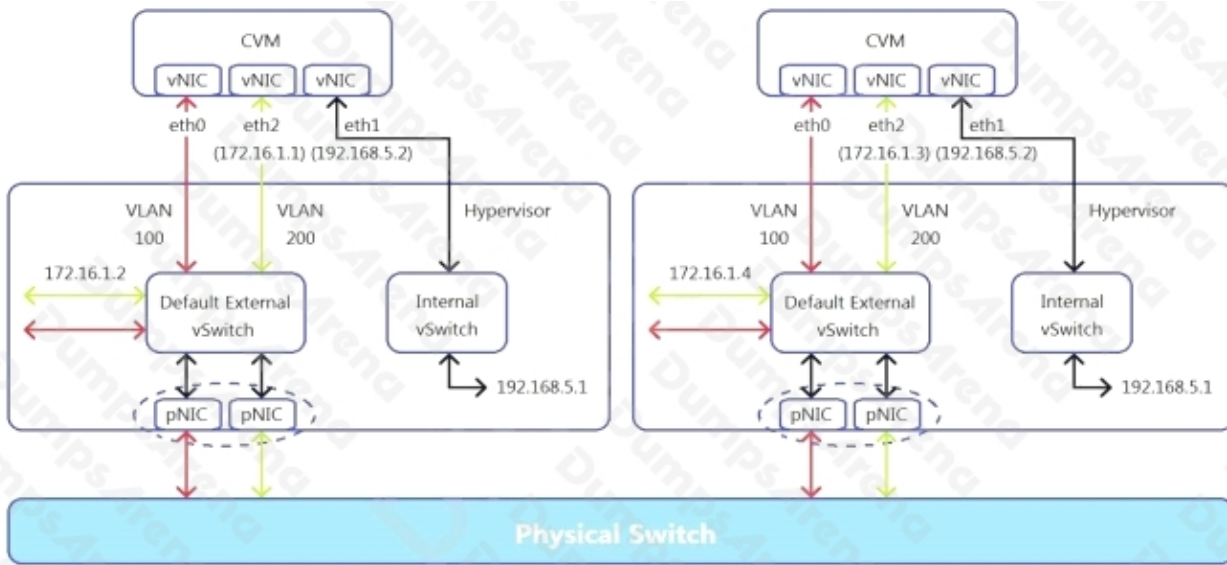
Procedure	Step					
Put the host in maintenance mode	<table border="1"> <tr><td>▼</td></tr> <tr><td>Step 1</td></tr> <tr><td>Step 2</td></tr> <tr><td>Step 3</td></tr> <tr><td>Invalid Step</td></tr> </table>	▼	Step 1	Step 2	Step 3	Invalid Step
▼						
Step 1						
Step 2						
Step 3						
Invalid Step						
Shut down the CVM	<table border="1"> <tr><td>▼</td></tr> <tr><td>Step 1</td></tr> <tr><td>Step 2</td></tr> <tr><td>Step 3</td></tr> <tr><td>Invalid Step</td></tr> </table>	▼	Step 1	Step 2	Step 3	Invalid Step
▼						
Step 1						
Step 2						
Step 3						
Invalid Step						
Shut down the node	<table border="1"> <tr><td>▼</td></tr> <tr><td>Step 1</td></tr> <tr><td>Step 2</td></tr> <tr><td>Step 3</td></tr> <tr><td>Invalid Step</td></tr> </table>	▼	Step 1	Step 2	Step 3	Invalid Step
▼						
Step 1						
Step 2						
Step 3						
Invalid Step						
Power off the node	<table border="1"> <tr><td>▼</td></tr> <tr><td>Step 1</td></tr> <tr><td>Step 2</td></tr> <tr><td>Step 3</td></tr> <tr><td>Invalid Step</td></tr> </table>	▼	Step 1	Step 2	Step 3	Invalid Step
▼						
Step 1						
Step 2						
Step 3						
Invalid Step						
Allow VMs to start on the remaining nodes	<table border="1"> <tr><td>▼</td></tr> <tr><td>Step 1</td></tr> <tr><td>Step 2</td></tr> <tr><td>Step 3</td></tr> <tr><td>Invalid Step</td></tr> </table>	▼	Step 1	Step 2	Step 3	Invalid Step
▼						
Step 1						
Step 2						
Step 3						
Invalid Step						

Explanation:

Reference: https://portal.nutanix.com/page/documents/details?targetId=AHV-Admin-Guide-v6_0:ahv-node-shutdown-ahv-t.html

QUESTION NO: 10

Refer to the exhibit.



What is the purpose of eth2 on the CVMs?

- A. RDMA Network Segmentation
- B. iSCSI connectivity
- C. Remote site connectivity
- D. Network Segmentation

ANSWER: D