

DUMPS ARENA

HCNP-R&S Fast Track (Huawei Certified Network Professional - Routing & Switching Fast Track)

Huawei H12-224

Version Demo

Total Demo Questions: 20

Total Premium Questions: 803

Buy Premium PDF

<https://dumpsarena.co>

sales@dumpsarena.co

sales@dumpsarena.co
dumpsarena.co

QUESTION NO: 1

Which of the following statements about NSSA commands is false?

- A. If the default-route-advertise parameter is set, a Type-7 default route is generated.
- B. The no-import-route parameter is used to prevent the importing of AS external routes in the form of Type-7 LSAs into an NSSA.
- C. The no-summary parameter is used to prevent the advertisement of Type-3 and Type-4 LSAs in an area.
- D. The set-n-bit parameter indicates that an N-bit will be set in a DD packet.

ANSWER: A**QUESTION NO: 2**

The Eudemon does not support port mapping.

- A. True
- B. False

ANSWER: B**QUESTION NO: 3**

The following is the command output on a root switch of an MSTP region. How many switches are located in the MSTP region?

- A. Less than 10
- B. Less than 20
- C. Less than 30
- D. Less than 40

ANSWER: C**QUESTION NO: 4**

Which parameters are carried in a BGP Open message? (Choose three.)

- A. Local AS number
- B. BGP ID
- C. Keepalive timer
- D. Hold timer
- E. Current peer status

ANSWER: A B D

QUESTION NO: 5

Which of the following authentication modes does VRRP use? (Choose three.)

- A. No authentication
- B. Simple text password
- C. MD5
- D. CHAP

ANSWER: A B C

QUESTION NO: 6

In a MPLS VPN network, two-layer MPLS labels are added to data packets before they are transmitted over the public network. Which of the following statements regarding two-layer labels are false? (Choose two.)

- A. The outer label is the private network label and the inner label is the public network label.
- B. The MPLS VPN outer label is distributed manually by the LDP protocol. The inner label is distributed by the peer MP-BGP neighbor.
- C. By default, the outer label in data packets is popped out before being forwarded to the last hop.
- D. The outer label is used to instruct the PE to send data packets to the correct VPN.

ANSWER: A D

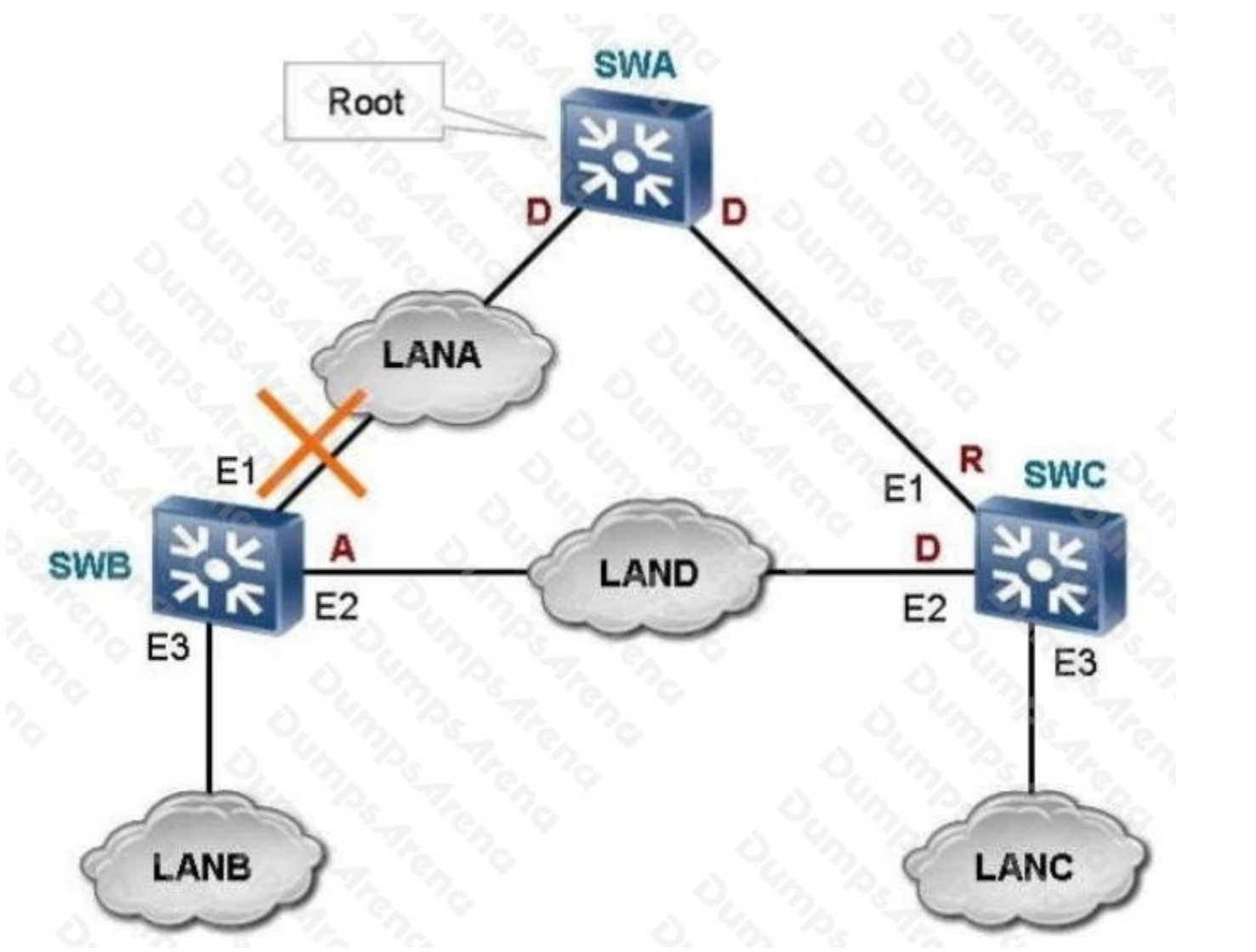
QUESTION NO: 7

In which state have BGP peers not established any connection and not initiated a connection request?

- A. Established
- B. OpenSent
- C. Active
- D. Idle

ANSWER: D

QUESTION NO: 8



On the RSTP network as shown in the figure, what RSTP operations will occur after the E1 port of SWB fails? (Choose three.)

- A. SWB deletes the MAC address entries with the E1 port as the destination interface.
- B. The spanning tree is recalculated and the E2 port is elected as the new root port.
- C. All the interfaces in forwarding state send topology change notifications (TCNs) to notify other switches of the topology change.
- D. All the non-edge ports in forwarding state send TCNs to notify other switches of the topology change.

ANSWER: A B D

QUESTION NO: 9

Which three steps does a migration include? (Choose three.)

- A. Snapshot before the migration
- B. Delivery during the migration
- C. Check after the migration
- D. Attendance after the migration

ANSWER: A B C

QUESTION NO: 10

Which of the following statements regarding PIM-DM is false?

- A. PIM-DM stands for Protocol Independent Multicast-Dense Mode. It is a dense-mode multicast routing protocol.
- B. PIM-DM assumes that each subnet on a network has at least one receiver station interested in the multicast source.
- C. PIM-DM uses the graft mechanism to restore multicast packet forwarding proactively.
- D. PIM-DM does not have periodic flood-prune processes.

ANSWER: D

QUESTION NO: 11

Which of the following statements about a neighbor state machine is true?

- A. The Attempt state appears only on an NBMA network or a broadcast network.
- B. The Attempt state appears only on an NBMA network or a P2MP network.

- C. LSR packets can be sent in the Exchange state.
- D. The Full state indicates that LSDB synchronization is complete. No LSDB information will be exchanged.

ANSWER: C

QUESTION NO: 12

How many user-defined security zones at most are configured on an Eudemon?

- A. 3
- B. 4
- C. 5
- D. 6

ANSWER: A

QUESTION NO: 13

Which of the following congestion avoidance mechanisms can be used to avoid global TCP synchronization? (Choose two.)

- A. RED
- B. WRED
- C. FIFO
- D. WFQ

ANSWER: A B

QUESTION NO: 14

Which of the following technologies are available for traffic shaping? (Choose two.)

- A. GTS
- B. LR
- C. CAR
- D. WRED

ANSWER: A B

QUESTION NO: 15

MPLS is a switching standard defined by the IETF. Which devices exist on the MPLS network?

(Choose two.)

- A. LSR
- B. LER
- C. Label distribution router
- D. Label transmit router

ANSWER: A B

QUESTION NO: 16

Which of the following statements about RSTP and STP is true?

- A. STP has more port states than RSTP.
- B. The port roles used in RSTP is less than the port roles used in STP.
- C. Since RSTP adopts fast convergence mechanism, it does not have Learning state which is available in STP.
- D. Same as STP, the ports will enter into Listening state once the RSTP has been enabled. Then, the ports can receive BPDU and calculate the spanning tree.

ANSWER: A

QUESTION NO: 17

All routing protocols can deliver default routes, supporting both forcible delivery and non-forcible delivery.

- A. True
- B. False

ANSWER: B

QUESTION NO: 18

In addition to traffic rate limit, the CAR can mark packets with colors. If one token bucket & onerate is used in traffic policing and the number of tokens is insufficient, packets are marked with which of the following color?

- A. Red
- B. Green
- C. Yellow
- D. Blue

ANSWER: A**QUESTION NO: 19**

Which of the following protocols support the multicast ASM model? (Choose two.)

- A. PIM-SM and IGMPv2
- B. PIM-SSM and IGMPv3
- C. BGP and OSPF
- D. PIM-DM and IGMPv2

ANSWER: A D**QUESTION NO: 20**

Which of the following BGP attributes are well-known community attributes? (Choose all that apply.)

- A. No_Export (0xFFFFF01)
- B. No_Advertise (0xFFFFF02)
- C. Advertise
- D. Internet

ANSWER: A B