

# DUMPS ARENA

## Nutanix Certified Master - Multicloud Infrastructure (NCM-MCI) 5.15

Nutanix NCM-MCI-5.15

Version Demo

Total Demo Questions: 10

Total Premium Questions: 107

Buy Premium PDF

<https://dumpsarena.co>

[sales@dumpsarena.co](mailto:sales@dumpsarena.co)

sales@dumpsarena.co  
dumpsarena.co

**QUESTION NO: 1**

A customer recently set up Async Replication between Site A and Site B. The customer wants to conduct a planned failover and clicks Activate on Site B.

The customer then runs the following command on Site A:

```
ncli pd deactivate_and__destroy_vms name=
```

What does this do to the customer environment?

- A.** VMs get deleted from Site B. and the protection domain is now Active.
- B.** VMs are powered off on Site A and must be manually powered on at Site
- C.** VMs get deleted from Site A and the protection domain is no longer active.
- D.** Customer must then manually power off VMs at Site A and power them on at Site B.

**ANSWER: C****Explanation:**

: [https://portal.nutanix.com/page/documents/details?targetId=Web-ConsoleGuide-Prism-v5\\_10:wc-protection-domain-failback-disaster.html](https://portal.nutanix.com/page/documents/details?targetId=Web-ConsoleGuide-Prism-v5_10:wc-protection-domain-failback-disaster.html)

**QUESTION NO: 2**

An administrator receives an error indicating that the CVMs in the cluster are not syncing to any NTP servers. An investigation of the issue finds:

- The NTP servers are configured in Prism
- The time on all CVMs is the same
- Both the CVMs and AHV hosts are configured for the UTC time zone

Which two steps can be taken to troubleshoot this issue? (Choose two.)

- A.** Confirm that the NTP servers are reachable from the CVMs.
- B.** Restart genesis on all CVMs.
- C.** On a CVM. run the command `a Hash ntpq -pn`.
- D.** Restart the chronos service on all CVMs.

**ANSWER: A C**

**Explanation:**

: Ref:

[https://portal.nutanix.com/page/documents/kbs/details?targetId=kA032000000bmjeCAA#Review\\_ntpq](https://portal.nutanix.com/page/documents/kbs/details?targetId=kA032000000bmjeCAA#Review_ntpq)

**QUESTION NO: 3**

A customer has a primary datacenter with 12 Nutanix blocks distributed across three racks. The customer wants to achieve the most resiliency possible. They also have a datacenter in a branch office that is 400 kilometers away from the primary datacenter.

Which two solutions should be used? (Choose two.)

- A. Time Stream to a remote site
- B. Async DR to a remote site
- C. Rack awareness
- D. Block awareness

**ANSWER: B C**

**QUESTION NO: 4**

While creating an image placement policy on the organizations AOS 5.15-based Nutanix cluster, the administrator wants to ensure there are no restrictions on using the selected images on clusters outside of the identified set.

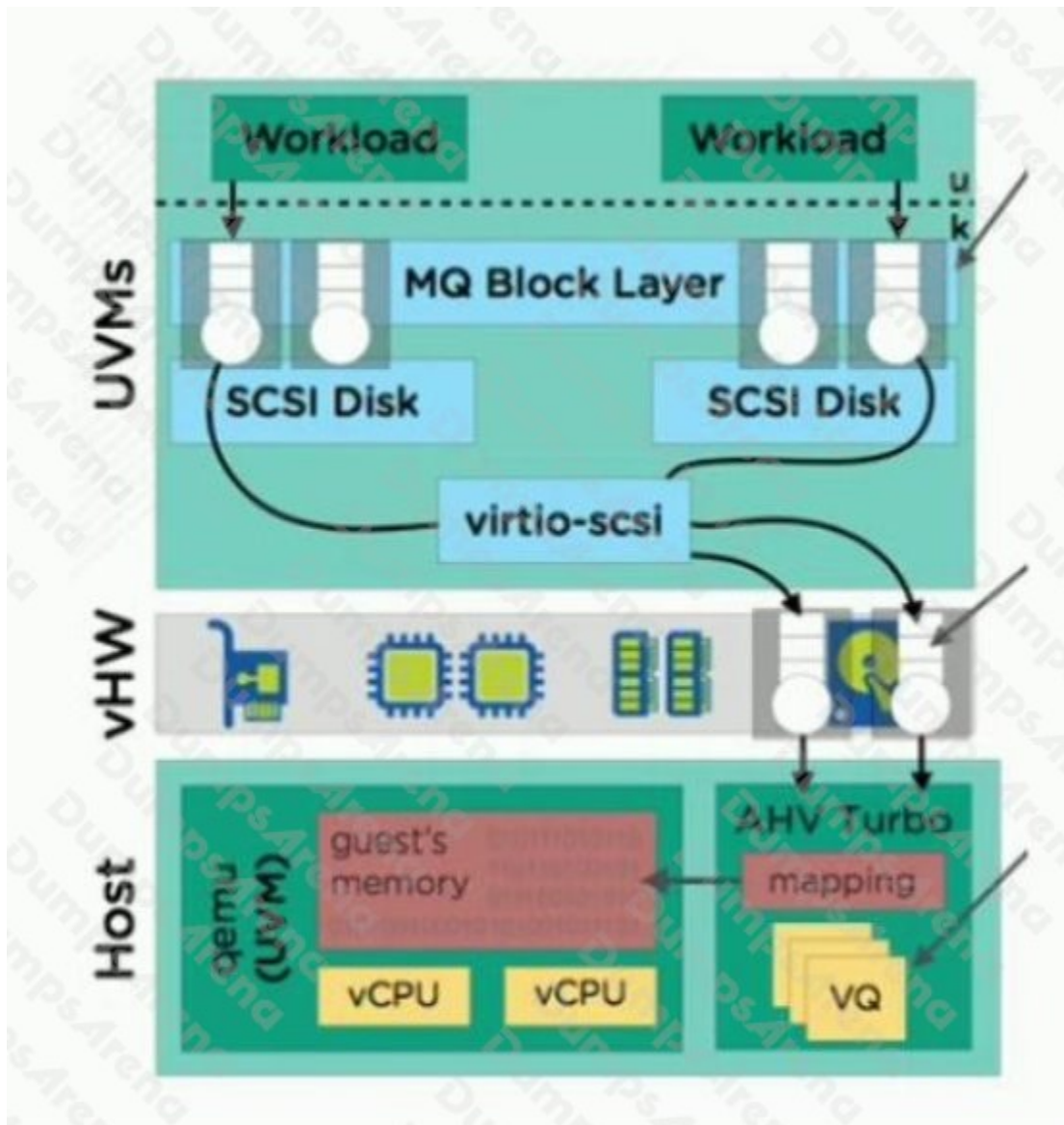
What type of Policy Enforcement must the administrator choose?

- A. Soft
- B. Internal
- C. Hard
- D. External

**ANSWER: A**

**QUESTION NO: 5**

Refer to the exhibit.



An administrator has an existing cluster and needs to improve performance using AHV Turbo. Which two items are required to achieve even greater performance? (Choose two.)

- A. Workloads are multi-threaded.
- B. VMs have one vCPU configured.
- C. VMs have multi-queue disabled.
- D. VMs have more than one vCPU.

**ANSWER: A D**

**QUESTION NO: 6**

An administrator is concerned that Prism will be inaccessible if Active Directory is unable to process logins. Which method should the administrator use to access the cluster in the event of this type of outage?

- A. Manage the cluster by using the "nutanix" user on the Prism leader CVM
- B. Create and use an emergency local account on the cluster
- C. Deploy an Active Directory server locally on the cluster
- D. Manage the cluster remotely by downloading ncli to a remote workstation

**ANSWER: B****QUESTION NO: 7**

Refer to the exhibit.

User	Quota	Enforcement
All Users	No quota limit	
fileslab\user1	5 GiB	Soft
All Users in "AAPM"	10 GiB	Hard

User 1 and User 2 belong to the AAPM group

What are two descriptions of how Files perform quota management? (Choose two.)

- A. User 2 can continue to add another 3GB file but will receive a daily notification email.
- B. User 1 can continue to add another 5GB file but will receive a daily notification email.
- C. User 1 can add an 8GB file to the share without receiving notification.
- D. User 2 can add an 8GB file without receiving a notification email.

**ANSWER: B D**

**Explanation:**

: Ref: [https://portal.nutanix.com/page/documents/details?targetId=Filesv3\\_6:fil-file-server-quotas-c.html#nconcept\\_amp\\_xsm\\_bx](https://portal.nutanix.com/page/documents/details?targetId=Filesv3_6:fil-file-server-quotas-c.html#nconcept_amp_xsm_bx)

**QUESTION NO: 8**

An administrator has a custom backup application that requires a 2TB disk and runs in Windows. Throughput is considerably lower than expected.

The application was installed on a VM with the following configuration:

- Four vCPUs with one core/vCPU
- 4GB of Memory
- One 50GB vDisk for the Windows installation
- One 2TB vDisk for the application

What is the recommended configuration change to improve throughput?

- A.** Increase the number of cores per vCPU
- B.** Increase the vCPUs assigned to the VM
- C.** Span the 2TB disk across four vDisks
- D.** Add 4GB of memory to the VM

**ANSWER: B****QUESTION NO: 9 - (HOTSPOT)**

HOTSPOT

An administrator is configuring an All Flash cluster to support the following workloads:

- Full clone virtual desktops
- Hadoop
- Write heavy databases

Which three correct configuration options should the administrator use to meet the item requirements? (Choose three.)

For each procedure, indicate whether it is a correct or incorrect procedure that must be configured to meet the item requirements using the drop-down option.

**Procedure**

One container with compression and deduplication enabled for full clone virtual desktops

**Correct/Incorrect**

Select  
Select  
Correct  
Incorrect

One container with compression and Erasure Coding enabled for Hadoop

Select  
Select  
Correct  
Incorrect

One container with compression enabled for heavy databases

Select  
Select  
Correct  
Incorrect

One container with deduplication enabled for full clone virtual desktops

Select  
Select  
Correct  
Incorrect

One container with Erasure Coding enabled for Hadoop

Select  
Select  
Correct  
Incorrect

One container with deduplication enabled for Hadoop

Select  
Select  
Correct  
Incorrect

**ANSWER:**

**Procedure**

One container with compression and deduplication enabled for full clone virtual desktops

**Correct/Incorrect**

Select

Select

Correct

Incorrect

One container with compression and Erasure Coding enabled for Hadoop

Select

Select

Correct

Incorrect

One container with compression enabled for heavy databases

Select

Select

Correct

Incorrect

One container with deduplication enabled for full clone virtual desktops

Select

Select

Correct

Incorrect

One container with Erasure Coding enabled for Hadoop

Select

Select

Correct

Incorrect

One container with deduplication enabled for Hadoop

Select

Select

Correct

Incorrect

**Explanation:**

Procedure	Correct/Incorrect
One container with compression and deduplication enabled for full clone virtual desktops	<input type="radio"/> Select <input checked="" type="radio"/> Select <input type="radio"/> Correct <input type="radio"/> Incorrect
One container with compression and Erasure Coding enabled for Hadoop	<input type="radio"/> Select <input checked="" type="radio"/> Select <input type="radio"/> Correct <input type="radio"/> Incorrect
One container with compression enabled for heavy databases	<input type="radio"/> Select <input checked="" type="radio"/> Select <input type="radio"/> Correct <input type="radio"/> Incorrect
One container with deduplication enabled for full clone virtual desktops	<input type="radio"/> Select <input checked="" type="radio"/> Select <input type="radio"/> Correct <input type="radio"/> Incorrect
One container with Erasure Coding enabled for Hadoop	<input type="radio"/> Select <input checked="" type="radio"/> Select <input type="radio"/> Correct <input type="radio"/> Incorrect
One container with deduplication enabled for Hadoop	<input type="radio"/> Select <input checked="" type="radio"/> Select <input type="radio"/> Correct <input type="radio"/> Incorrect

**QUESTION NO: 10**

An administrator is deploying a new application to a Nutanix Enterprise Cloud. The application requires a security to prevent unauthorized access. The application also uses many non-standard ports that are unique to it. Security should not be changed for existing applications.

What should the administrator do to meet these requirement?

- A. Use existing categories for the VMs. and create new security policies to use the existing categories.
- B. Use existing categories for the VMs and modify existing security policies to include the specific port.
- C. Create new categories for the VMs, and create new security policies that include the new categories.
- D. Create new categories for the VMs, and modify existing security policies to include the new categories.

**ANSWER: C**