

DUMPS ARENA

Aruba Certified Network Security Associate Exam

HP HPE6-A78

Version Demo

Total Demo Questions: 8

Total Premium Questions: 60

Buy Premium PDF

<https://dumpsarena.co>

sales@dumpsarena.co

sales@dumpsarena.co
dumpsarena.co

QUESTION NO: 1

What is one way that WPA3-Enterprise enhances security when compared to WPA2-Personal?

- A. WPA3-Enterprise is more secure against password leaking Because all users have their own username and password
- B. WPA3-Enterprise prevents eavesdropping on other users' wireless traffic by a user who knows the passphrase for the WLAN.
- C. WPA3-Enterprise is more resistant to passphrase cracking Because it requires passphrases to be at least 12 characters
- D. WPA3-Enterprise is more complicated to deploy because it requires a backend authentication server

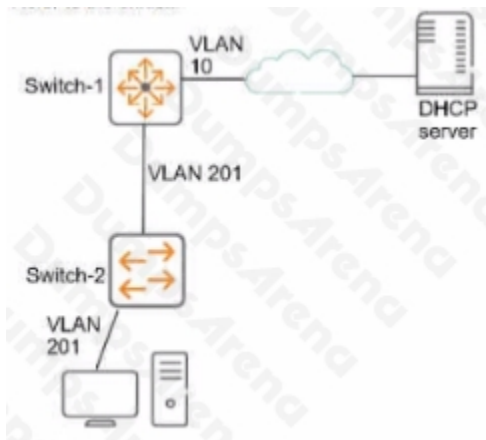
ANSWER: A**QUESTION NO: 2**

You have detected a Rogue AP using the Security Dashboard Which two actions should you take in responding to this event? (Select two)

- A. There is no need to locate the AP If you manually contain it.
- B. This is a serious security event, so you should always contain the AP immediately regardless of your company's specific policies.
- C. You should receive permission before containing an AP. as this action could have legal implications.
- D. For forensic purposes, you should copy out logs with relevant information, such as the time that the AP was detected and the AP's MAC address.
- E. There is no need to locate the AP If the Aruba solution is properly configured to automatically contain it.

ANSWER: B D**QUESTION NO: 3**

Refer to the exhibit.



This company has ArubaOS-Switches. The exhibit shows one access layer switch, Switch-2, as an example, but the campus actually has more switches. The company wants to stop any internal users from exploiting ARP

What is the proper way to configure the switches to meet these requirements?

- A. On Switch-1, enable ARP protection globally, and enable ARP protection on all VLANs.
- B. On Switch-2, make ports connected to employee devices trusted ports for ARP protection
- C. On Switch-2, enable DHCP snooping globally and on VLAN 201 before enabling ARP protection
- D. On Switch-2, configure static IP-to-MAC bindings for all end-user devices on the network

ANSWER: D

QUESTION NO: 4

You configure an ArubaOS-Switch to enforce 802.1X authentication with ClearPass Policy Manager (CPPM) defined as the RADIUS server. Clients cannot authenticate. You check Aruba ClearPass Access Tracker and cannot find a record of the authentication attempt.

What are two possible problems that have this symptom? (Select two)

- A. users are logging in with the wrong usernames and passwords or invalid certificates.
- B. Clients are configured to use a mismatched EAP method from the one in the CPPM service.
- C. The RADIUS shared secret does not match between the switch and CPPM.
- D. CPPM does not have a network device defined for the switch's IP address.
- E. Clients are not configured to trust the root CA certificate for CPPM's RADIUS/EAP certificate.

ANSWER: A E

QUESTION NO: 5

What is one practice that can help you to maintain a digital chain or custody In your network?

- A. Enable packet capturing on Instant AP or Moodily Controller (MC) datapath on an ongoing basis
- B. Enable packet capturing on Instant AP or Mobility Controller (MC) control path on an ongoing basis.
- C. Ensure that all network infrastructure devices receive a valid clock using authenticated NTP
- D. Ensure that all network Infrastructure devices use RADIUS rather than TACACS+ to authenticate managers

ANSWER: A

QUESTION NO: 6

You have an Aruba Mobility Controller (MC). for which you are already using Aruba ClearPass Policy Manager (CPPM) to authenticate access to the Web UI with usernames and passwords You now want to enable managers to use certificates to log in to the Web UI CPPM will continue to act as the external server to check the names in managers' certificates and tell the MC the managers' correct rote

in addition to enabling certificate authentication. what is a step that you should complete on the MC?

- A. Verify that the MC has the correct certificates, and add RadSec to the RADIUS server configuration for CPPM
- B. install all of the managers' certificates on the MC as OCSP Responder certificates
- C. Verify that the MC trusts CPPM's HTTPS certificate by uploading a trusted CA certificate Also, configure a CPPM username and password on the MC
- D. Create a local admin account mat uses certificates in the account, specify the correct trusted CA certificate and external authentication

ANSWER: A

QUESTION NO: 7

Which correctly describes a way to deploy certificates to end-user devices?

- A. ClearPass Onboard can help to deploy certificates to end-user devices, whether or not they are members of a Windows domain
- B. ClearPass Device Insight can automatically discover end-user devices and deploy the proper certificates to them
- C. ClearPass OnGuard can help to deploy certificates to end-user devices, whether or not they are members of a Windows domain
- D. in a Windows domain, domain group policy objects (GPOs) can automatically install computer, but not user certificates

ANSWER: A

QUESTION NO: 8

You need to deploy an Aruba instant AP where users can physically reach it. What are two recommended options for enhancing security for management access to the AP? (Select two)

- A. Disable its console ports
- B. Place a Tamper Evident Label (TELS) over its console port
- C. Disable the Web UI.
- D. Configure WPA3-Enterprise security on the AP
- E. install a CA-signed certificate

ANSWER: B E