

DUMPS ARENA

Applying Aruba Switching Fundamentals for Mobility

HP HPE6-A41

Version Demo

Total Demo Questions: 10

Total Premium Questions: 125

Buy Premium PDF

<https://dumpsarena.co>

sales@dumpsarena.co

sales@dumpsarena.co
dumpsarena.co

QUESTION NO: 1

Refer to the exhibit.

```
Switch# show lacp
```

	LACP						
<u>Port</u>	<u>LACP</u>	<u>Trunk</u>	<u>Port</u>	<u>Partner</u>	<u>LACP</u>	<u>Admin</u>	<u>Oper</u>
	<u>Enabled</u>	<u>Group</u>	<u>Status</u>		<u>Status</u>	<u>Key</u>	<u>Key</u>
A1	Active	Trk2	Up	Yes	Success	0	963
A2	Active	Trk2	Blocked	Yes	Failure	0	963

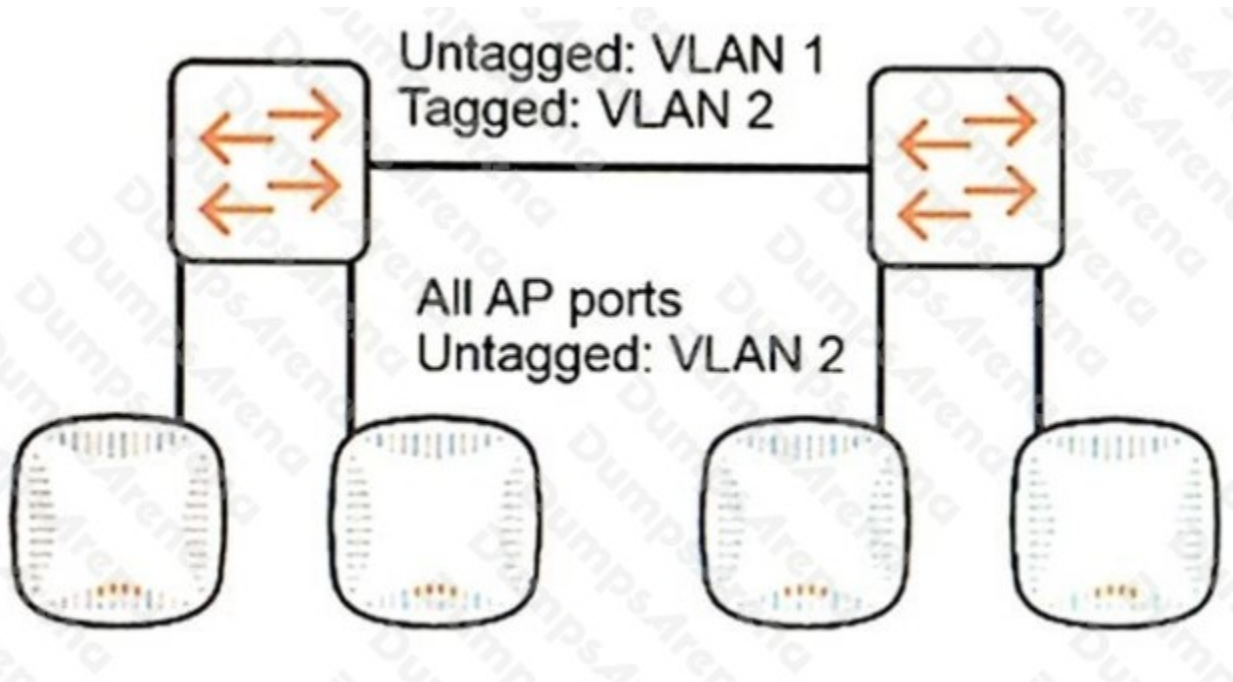
Which issue could cause the Blocked status on A2?

- A. A1 and A2 are connected to different switches.
- B. A1 and A2 use different trunk load balancing modes.
- C. A1 and A2 support different VLANs.
- D. A1 and A2 have spanning tree enabled on the link aggregation.

ANSWER: D

QUESTION NO: 2

Refer to the exhibit.



A network administrator connects several new Aruba Instant APs (at factory defaults), as shown in the exhibit. After waiting several minutes for the cluster to form, the administrator is ready to provision the cluster. The administrator wants to be redirected to the Instant UI without the need to know the correct IP address.

How should the administrator connect the management station to enable access to the virtual controller (VC)?

- A. to a switch port in the same VLAN
- B. directly to one instant AP's second Ethernet port
- C. to the Instant SSID
- D. directly to one Instant AP's Basic Service Set (BSS)

ANSWER: D

QUESTION NO: 3

Refer to the exhibits.

Exhibit 1

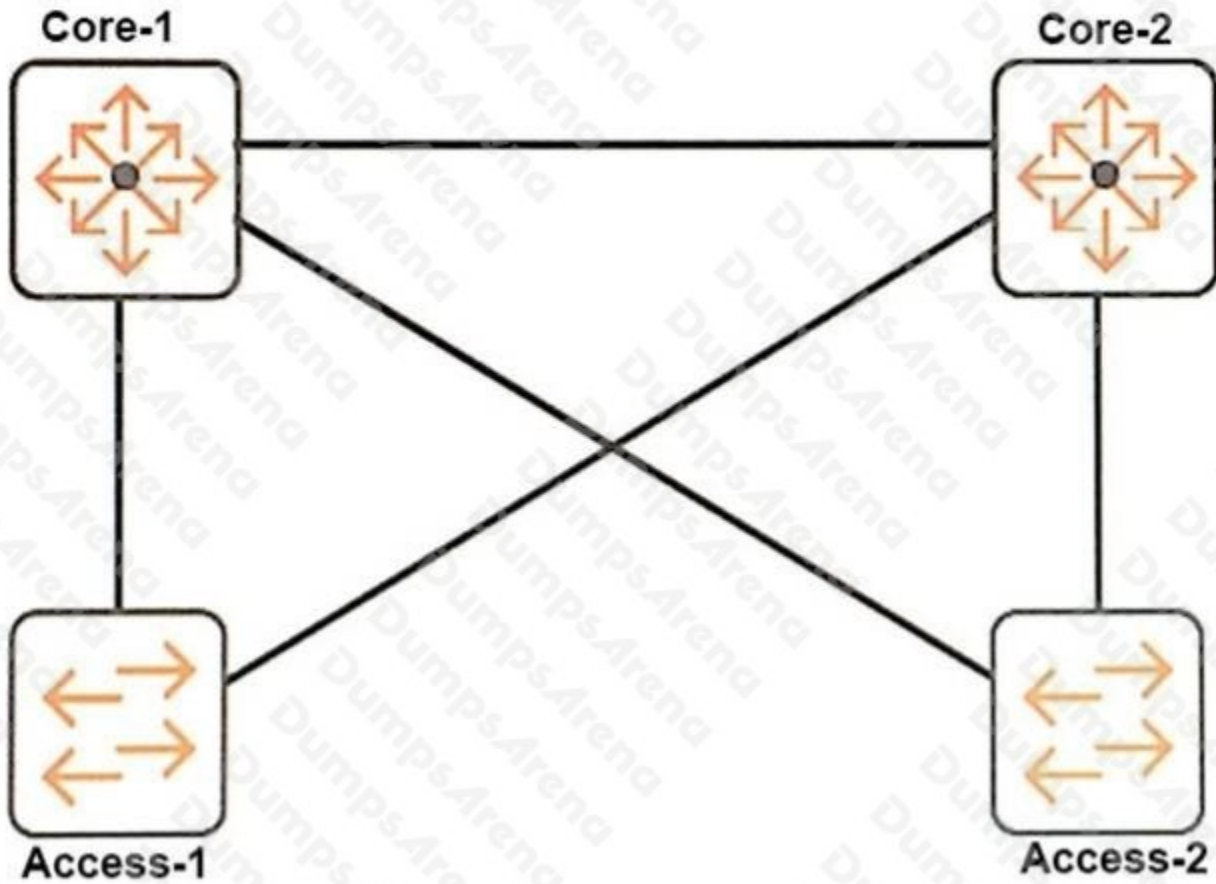


Exhibit 2

```

Core-1 spanning tree related config
#
spanning-tree
spanning-tree priority 0
  
```

```

All other switch spanning tree related config
#
spanning-tree
  
```

A network uses RSTP, as shown in the exhibits. The network administrator wants switches to use the link that connects to Core-2 to forward some of the traffic. The administrator enters these commands on every switch shown in the exhibit:

```

Switch(config)# spanning-tree config-name myswitches
Switch(config)# spanning-tree config-revision 1
Switch(config)# spanning-tree instance 1 vlan 10-19
Switch(config)# spanning-tree instance 2 vlan 20-29
  
```

The administrator then discovers that the links to Core-2 still did not forward any traffic.

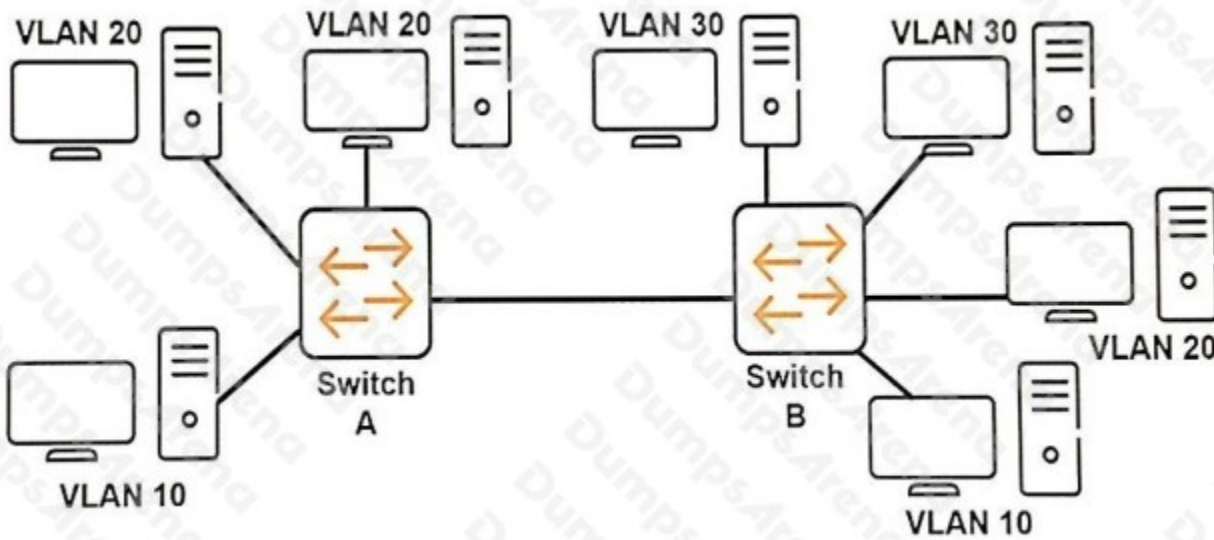
What should the administrator do to enable these links to carry traffic?

- A. Activate the MSTP region configuration on all switches.
- B. Lower the port cost on the links that connect to Core-2 on the access layer switches.
- C. Configure Core-2 with spanning tree priority 0 in instance 2.
- D. Change the spanning tree mode to MSTP on all switches.

ANSWER: B

QUESTION NO: 4

Refer to the exhibit.



The network consists of two ArubaOS switches with routing disabled.

How should the network administrator configure the link between Switch A and Switch B to ensure that all hosts can communicate to all the other hosts within their respective VLANs?

- A. tagged for VLAN 20 and tagged for VLAN 30
- B. untagged for VLAN 10 and tagged for VLAN 30
- C. tagged for VLAN 10 and tagged for VLAN 20
- D. untagged for VLAN 10, untagged for VLAN 20, and tagged for VLAN 30

ANSWER: C

QUESTION NO: 5

A Virtual Switching Framework (VSF) fabric currently has two members and two physical 10GbE links in its VSF link.

Which administrative task can a network administrator perform on this VSF fabric when both members are online?

- A. Remove a VSF member.
- B. Add a new 40GbE link to the VSF link.
- C. Remove one of the physical links in the VSF link.
- D. Change the VSF link to use 40GbE links instead of 10GbE links.

ANSWER: A

QUESTION NO: 6

Refer to the exhibits.

Exhibit 1

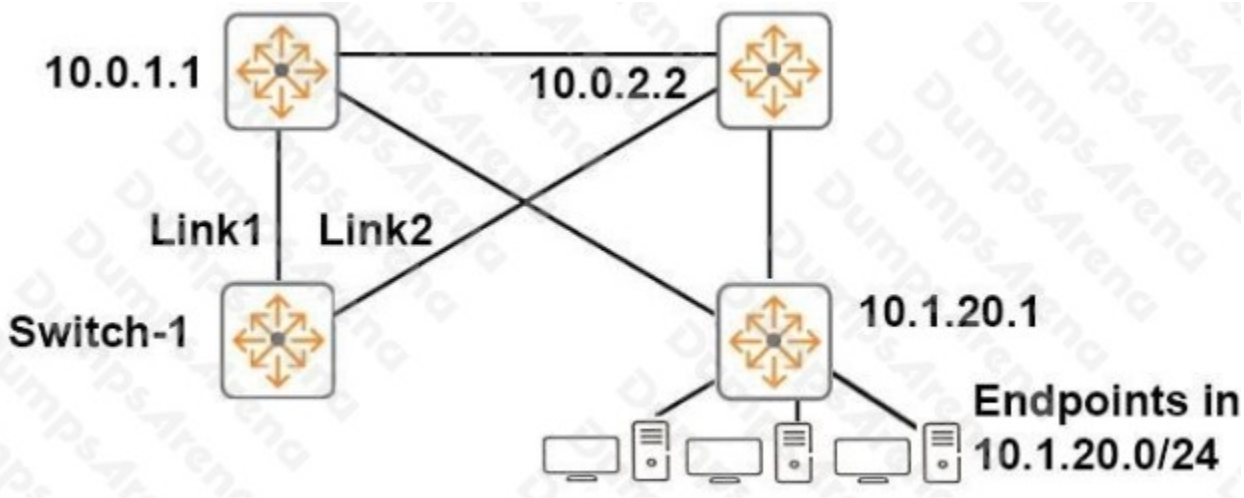


Exhibit 2

Switch-1 (config) # show ip route

IP Route Entries						
Destination	Gateway	VLAN	Type	Sub-Type	Metric	Dist.
10.0.1.0/24	VLAN101	101	connected		1	0
10.0.2.0/24	VLAN201	201	connected		1	0
10.1.10.0/24	VLAN10	10	connected		1	0
10.1.20.0/24	10.0.1.1	101	static		1	1
127.0.0.0/8	reject		static		0	0
127.0.0.1/32	lo0		connected		1	0

A network administrator wants to create a backup IP route to 10.1.20.0/24 on Switch-1. The backup route should use Link2, and it should only be used if Link1 is down.

What is the correct setup to accomplish this?

- A. an IP route through 10.1.20.1 with administrative distance 10
- B. an IP route through 10.0.2.2 with administrative distance 10
- C. an IP route through 10.0.2.2 with administrative distance 1
- D. an IP route through 10.1.20.1 with administrative distance 1

ANSWER: B

QUESTION NO: 7

Refer to the exhibit.

```
Switch# show spanning-tree 1, 19, 21 instance ist
<-output omitted ->
```

Port	Type	Cost	Priority	Role	State	Designated Bridge
1	100/1000T	20000	128	Designated	Forwarding	d4c9ef-851680
19	100/1000T	20000	128	Root	Forwarding	d07e28-cec94f
21	1/1000T	20000	128	Alternate	Blocking	d07e28-ced31e

This switch currently assigns all VLANs to MSTP instance 0 or the Internal Spanning Tree (IST).

Which statement correctly describes interface 21?

- A. The interface is down at Layer 2; it is not available for sending or receiving any traffic.
- B. The interface does not forward or accept data traffic, but it is ready to start forwarding if interface 19 fails.
- C. The interface is an edge port but has received Bridge Protocol Data Units (BPDUs), so it is disabled.
- D. The interface does not support spanning tree; it is possible that it will introduce a loop in the network.

ANSWER: B

QUESTION NO: 8

What is one advantage of OSPF over static routing?

- A. OSPF allows ArubaOS switches to use default routes, while static routes cannot use 0.0.0.0/0 as the destination network.
- B. OSPF has a lower default administrative distance than static routing on ArubaOS switches.
- C. OSPF better meets the needs of a complex topology with many redundant routes than static routing.

D. OSPF permits load sharing traffic over multiple routes, while static routing does not.

ANSWER: C

QUESTION NO: 9

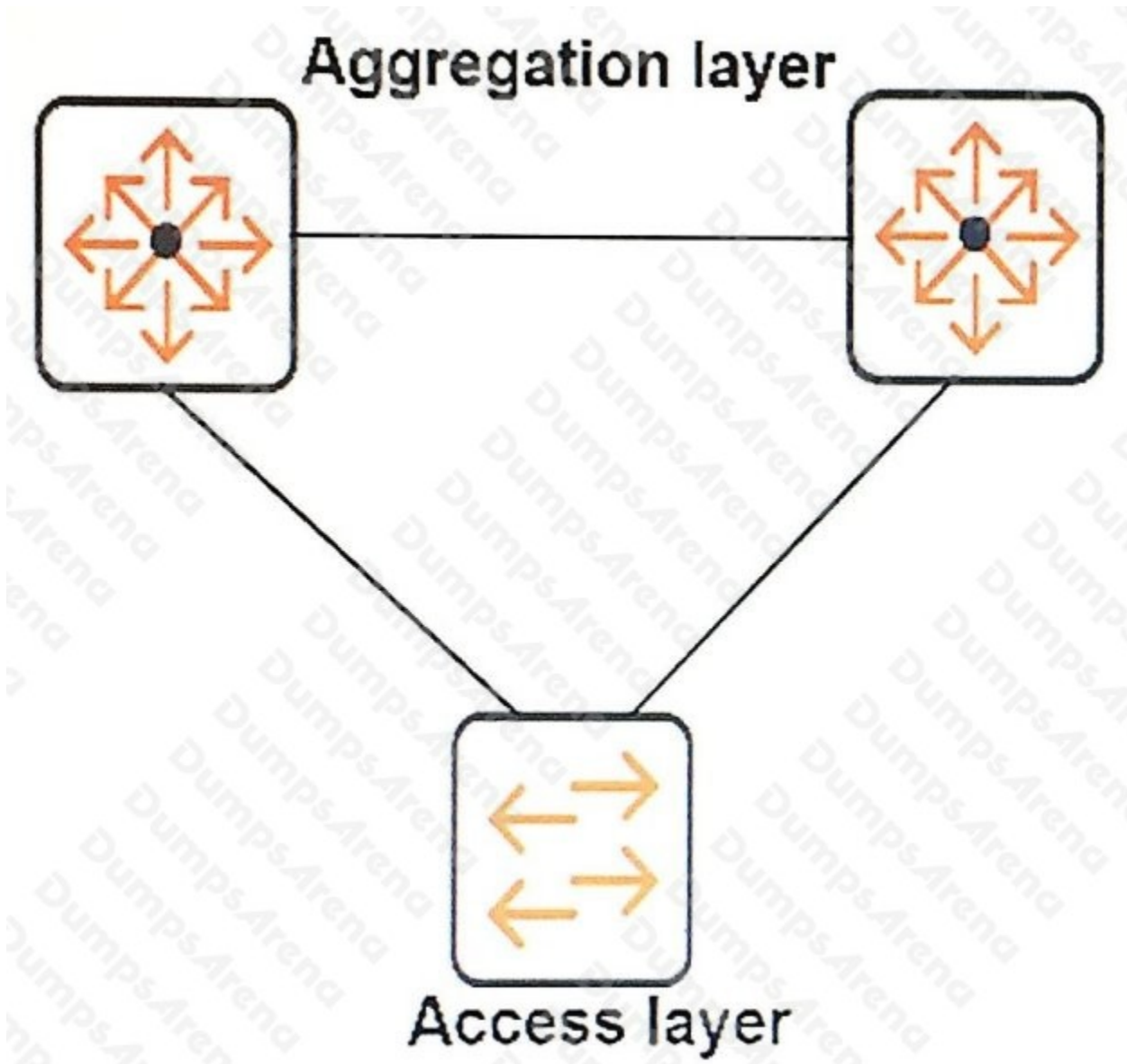
Which technology can provide automated network optimization for unified communication applications such as Skype for Business?

- A. Software-defined Networking (SDN)
- B. Zero Touch Provisioning (ZTP)
- C. Simple Network Management Protocol (SNMP)
- D. Virtual Switching Framework (VSF)

ANSWER: A

QUESTION NO: 10

Refer to the exhibit.



A network administrator installs a new aggregation and access layer in a campus network. All users in this area belong to the same VLAN. The administrator plugs the switches into the network with the factory default configurations.

Which protocol must the administrator configure to prevent broadcast storms?

- A. MSTP
- B. LLDP
- C. OSPF
- D. LACP

ANSWER: A