

# DUMPS ARENA

## Aruba Certified Switching Professional Exam

HP HPE6-A73

Version Demo

Total Demo Questions: 10

Total Premium Questions: 100

Buy Premium PDF

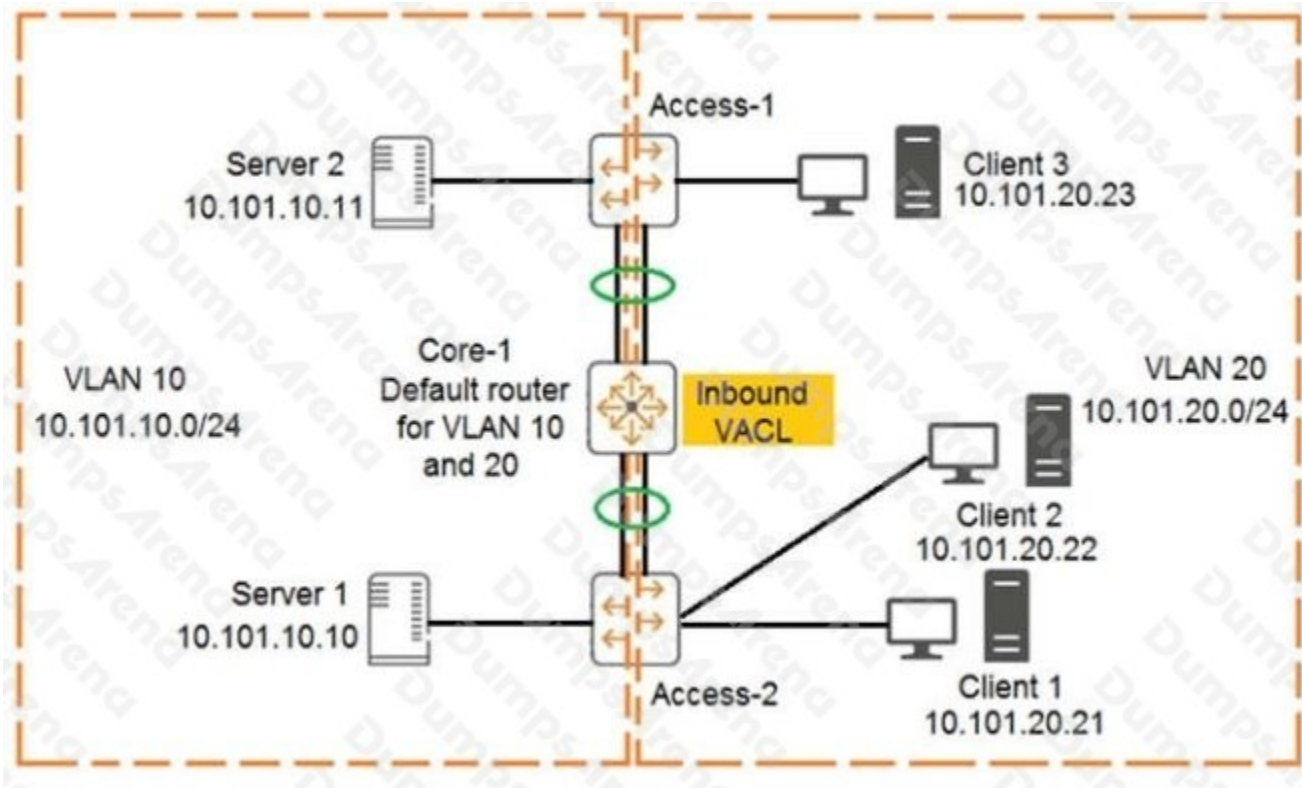
<https://dumpsarena.co>

[sales@dumpsarena.co](mailto:sales@dumpsarena.co)

[sales@dumpsarena.co](mailto:sales@dumpsarena.co)  
[dumpsarena.co](https://dumpsarena.co)

**QUESTION NO: 1**

Examine the network exhibit:



The ACL configuration defined on Core-1 is as follows:

```
Core-1(config)# access-list ip example
Core-1(config-acl-ip)# permit ip 10.101.20.21/32 any eq 23
Core-1(config-acl-ip)# permit ip 10.101.20.21/32 eq 23 any
Core-1(config-acl-ip)# exit
Core-1(config)# vlan 20
Core-1(config-if)# apply access-list example in
```

If telnet was being used, which device connection would be permitted and functional in both directions? (Choose two.)

- A. Client 3 to Client 2
- B. Client 1 to Client 2
- C. Server 2 to Client 2
- D. Server 1 to Client 1
- E. Client 1 to Client 3

**ANSWER: B E**

### QUESTION NO: 2

A network administrator needs to replace an antiquated access layer solution with a modular solution involving AOS-CX switches. The administrator wants to leverage virtual switching technologies. The solution needs to support high-availability with dual-control planes.

Which solution should the administrator implement?

- A. AOS-CX 8325
- B. AOS-CX 6300
- C. AOS-CX 6400
- D. AOS-CX 8400

**ANSWER: A**

#### Explanation:

Reference: <https://andovercg.com/datasheets/aruba-cx-8325-switch-series.pdf>

### QUESTION NO: 3

What are best practices when implementing VSX on AOS-CX switches? (Choose two.)

- A. The ISL lag should use the default MTU size.
- B. Timers should be left at their default values.
- C. The default system MAC addresses should be used.
- D. The keepalive connection should use a direct layer-3 connection.
- E. The ISL lag should use at least 10GbE links or faster.

**ANSWER: B D**

### QUESTION NO: 4

A network administrator is attempting to troubleshoot a connectivity issue between a group of users and a particular server. The administrator needs to examine the packets over a period of time from their desktop; however, the administrator is not directly connected to the AOS-CX switch involved with the traffic flow.

What is correct regarding the ERSPAN session that needs to be established on an AOS-CX switch? (Choose two.)

- A. On the source AOS-CX switch, the destination specified is the switch to which the administrator's desktop is connected
- B. On the source AOS-CX switch, the destination specified is the administrator's desktop
- C. The encapsulation protocol used is GRE
- D. The encapsulation protocol used is VXLAN
- E. The encapsulation protocol is UDP

**ANSWER: B C**

#### QUESTION NO: 5

An administrator of a large campus network needs a solution that will provide root cause analytics to quickly identify problems so that they can quickly be fixed.

Which AOS-CX switch feature should the administrator utilize to help with root cause analytics?

- A. NAE
- B. VoQ
- C. NetEdit
- D. VSX

**ANSWER: A**

#### QUESTION NO: 6

An administrator is configuring BGP and has two connections to a service provider to two different local routers.

Which BGP metric should the administrator configure to influence which local router the service provider will use to reach certain routes?

- A. Weight
- B. Multiple exit discriminator
- C. Local preference
- D. Origin

**ANSWER: B**

**QUESTION NO: 7**

When comparing PIM-DM and PIM-SM, which multicast components are only found with PIM-SM in multicast routing? (Choose two.)

- A. IGMP querier
- B. Rendezvous point
- C. Bootstrap router
- D. Shortest path tree
- E. Designated router

**ANSWER: B D****QUESTION NO: 8**

An administrator will be implementing tunneling between AOS-CX switches and Aruba gateways. Which list of protocols must minimally be allowed by an intermediate firewall between two sets of devices?

- A. IP protocol 50 and UDP 8209
- B. UDP 4500 and IP protocol 47
- C. UDP 8211 and IP protocol 47
- D. UDP 4500 and UDP 8209

**ANSWER: B****QUESTION NO: 9**

The AOS-CX mobile app allows a network engineer or technician to perform which tasks? (Choose two.)

- A. Use NetEdit to manage switch configuration.
- B. Create a stack of AOS-CX switches.
- C. Transfer files between the switch and your mobile device.
- D. Securely access the switch using SSH.
- E. Schedule an operating system upgrade.

**ANSWER: C D**

**QUESTION NO: 10**

Which concept is implemented using Aruba's dynamic segmentation?

- A. Root of trust
- B. Device fingerprinting
- C. Zero Touch Provisioning
- D. Colorless port

**ANSWER: B**