

# DUMPS ARENA

## Aruba Certified Edge Professional Exam

HP HPE6-A75

Version Demo

Total Demo Questions: 10

Total Premium Questions: 60

Buy Premium PDF

<https://dumpsarena.co>

[sales@dumpsarena.co](mailto:sales@dumpsarena.co)

sales@dumpsarena.co  
dumpsarena.co

**QUESTION NO: 1**

Which statement is true about the Endpoint Profiler? (Select two.)

- A. The Endpoint Profiler uses DHCP fingerprinting for device categorization.
- B. Data obtained from the Endpoint Profiler can be used in Enforcement Policy.
- C. Endpoint Profiler requires a profiling license.
- D. The Endpoint Profiler requires the Onboard license to be enabled.
- E. The Endpoint Profiler can only categorize laptops and desktops.

**ANSWER: A B**

**QUESTION NO: 2**

A company has AOS-Switches, Aruba ClearPass, and Aruba Airwave. A network administrator needs to set up a new switch with the same settings found on other switches in the company. Which actions are likely to be the most useful to perform the task?

- A. Access the Network Device view on ClearPass.
- B. Use the configuration audit tool on AirWave.
- C. View the current running config on each switch.
- D. View usage patterns on the switches on AirWave.

**ANSWER: A**

**QUESTION NO: 3**

A customer wants to implement Virtual IP redundancy, such that in case of a ClearPass server outage, 802.1x authentications will not be interrupted. The administrator has enabled a single Virtual IP address on two ClearPass servers.

Which statements accurately describe next steps? (Select two.)

- A. The NAD should be configured with the primary node IP address for RADIUS authentication on the 802.1x network.
- B. A new Virtual IP address should be created for each NAD.

- C. Both the primary and secondary nodes will respond to authentication requests sent to the Virtual IP address when the primary node is active.
- D. The primary node will respond to authentication requests sent to the Virtual IP address when the primary node is active.
- E. The NAD should be configured with the Virtual IP address for RADIUS authentications on the 802.1x network.

ANSWER: D E

#### QUESTION NO: 4

Refer to the exhibit.



Which statements accurately describe the status of the Onboarded devices in the configuration for the network settings shown? (Select two.)

- A. They will connect to Employee\_Secure SSID after provisioning.
- B. They will connect to Employee\_Secure SSID for provisioning their devices.
- C. They will use WPA2-PSK with AES when connecting to the SSID.
- D. They will connect to secure\_emp SSID after provisioning.
- E. They will perform 802.1X authentication when connecting to the SSID.

ANSWER: D E

#### QUESTION NO: 5

An administrator configures the MultiZone feature for a company network, where a mobility cluster is the primary zone and a standalone controller in the company's DMZ represents a secondary data zone. The administrator configures two AP Groups and respective VAPs for the zones on the Mobility Master (MM) in the primary zone. When the APs boot up and establish connections to both zones, the administrator notices that no data connections are established to the data zone.

What must the administrator do to fix this problem?

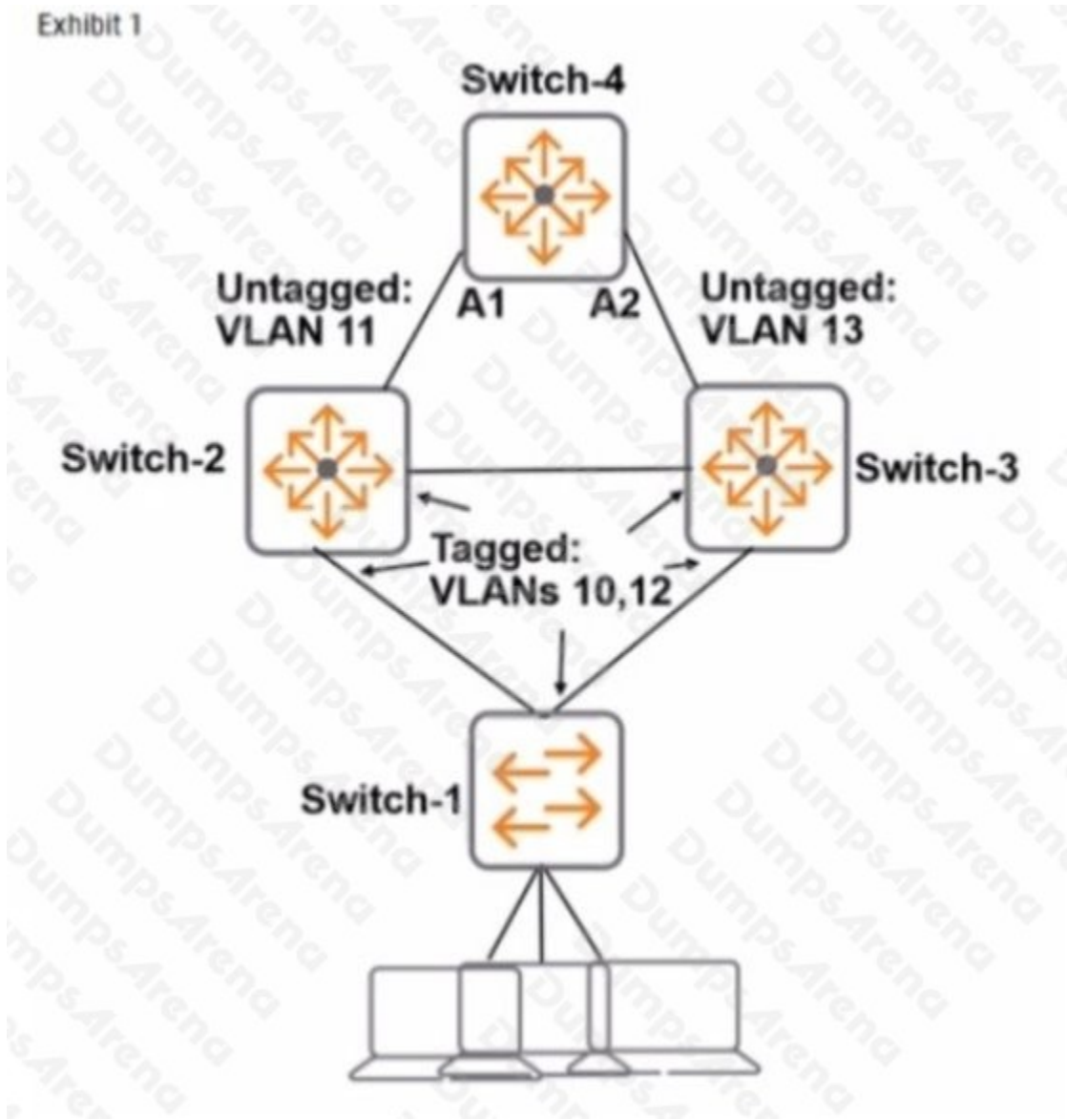
- A.** Configure the same AP Groups and VAPs on the standalone controller, and associate the MultiZone APs to both groups.
- B.** Configure the same AP Group in the data zone as it is in the primary zone, and configure the VAPs in the data zone.
- C.** Have the MultiZone APs initially boot from the standalone controller in the data zone.
- D.** Create different AP groups and VAPs on the Mobility Master and standalone controllers, and associate the MultiZone APs to both groups.

**ANSWER: D**

**QUESTION NO: 6**

Refer to the exhibits.

Exhibit 1



```
Switch-1 (config)# spanning-tree
Switch-1 (config)# spanning-tree mode rapid-pvst
Switch-1 (config)# spanning-tree vlan 10-13 enable

Switch-2 (config)# spanning-tree
Switch-2 (config)# spanning-tree mode rapid-pvst
Switch-2 (config)# spanning-tree vlan 10-13 enable
Switch-2 (config)# spanning-tree vlan 10-11 priority 0
Switch-2 (config)# spanning-tree vlan 12-13 priority 1

Switch-3 (config)# spanning-tree
Switch-3 (config)# spanning-tree mode rapid-pvst
Switch-3 (config)# spanning-tree vlan 10-13 enable
Switch-3 (config)# spanning-tree vlan 10-11 priority 1
Switch-3 (config)# spanning-tree vlan 12-13 priority 0

Switch-4 (config)# spanning-tree
Switch-4 (config)# spanning-tree mode rapid-pvst
Switch-4 (config)# spanning-tree vlan 10-13 enable
```

The network administrator enters the commands shown in Exhibit 2. What is the spanning tree status on A1 and A2?

- A. A1 towards traffic, and A2 blocks traffic.
- B. Both A1 and A2 block traffic.
- C. A1 blocks traffic, and A2 forwards traffic.
- D. Both A1 and A2 forward traffic

**ANSWER: D**

#### QUESTION NO: 7

CORRECT TEXT

Which is a valid policy simulation types in ClearPass? (Select three.)

- A. Enforcement Policy
- B. Posture token derivation
- C. Role Mapping
- D. Endpoint Profiler
- E. Chained simulation

**ANSWER: A C E**

**QUESTION NO: 8**

An administrator configures an ArubaOS-Switch for per-user tunneled node. Which protocols does the switch use to establish and maintain a connection with the Aruba

Mobility Controller (MO?) (Select two.)

- A. GRE
- B. SSL
- C. PAPI
- D. IPSec

**ANSWER: A C**

**QUESTION NO: 9**

The administrator expects the AP to connect to a cluster, but the AP fails to connect. The administrator examines the configuration of an AP from apboot mode shown in the exhibit.

What can the administrator determine about the configuration of the AP?

```
apboot> printenv
servername=aruba-master
name=AP1
group=apgroup1
cert_cap=1
backup_vap_init_master=10.1.20.100
num_ipsec_retry=85
backup_vap_password=3A28B643D862568...
backup_vap_opmode=0
backup_vap_band=2
rap_tftp_upgrade=0
cfg_lms=10.1.10.101
stdin=serial
<-output omitted->
```

- A. The AP is configured to terminate on a non-cluster Mobility Controller.
- B. The AP is configured as a RAP to terminate on a stand-alone controller.
- C. The AP is configured as a RAP to terminate on a Mobility Master.
- D. The AP is configured to terminate on a Mobility Controller in a cluster.

**ANSWER: C**

**QUESTION NO: 10**

in a VPN that uses certificate-based authentication, which component must be configured on the Mobility Master (MM) to allow a RAP to successfully connect to a Mobility Controller

(MC)

- A. RAP VPN username and password
- B. WLAN and new RAP group
- C. RAP IPSec pre-shared key
- D. RAP whitelist

**ANSWER: D**