

DUMPS ARENA

Enterprise Routing and Switching-Professional (JNCIP-ENT)

Juniper JN0-648

Version Demo

Total Demo Questions: 10

Total Premium Questions: 90

Buy Premium PDF

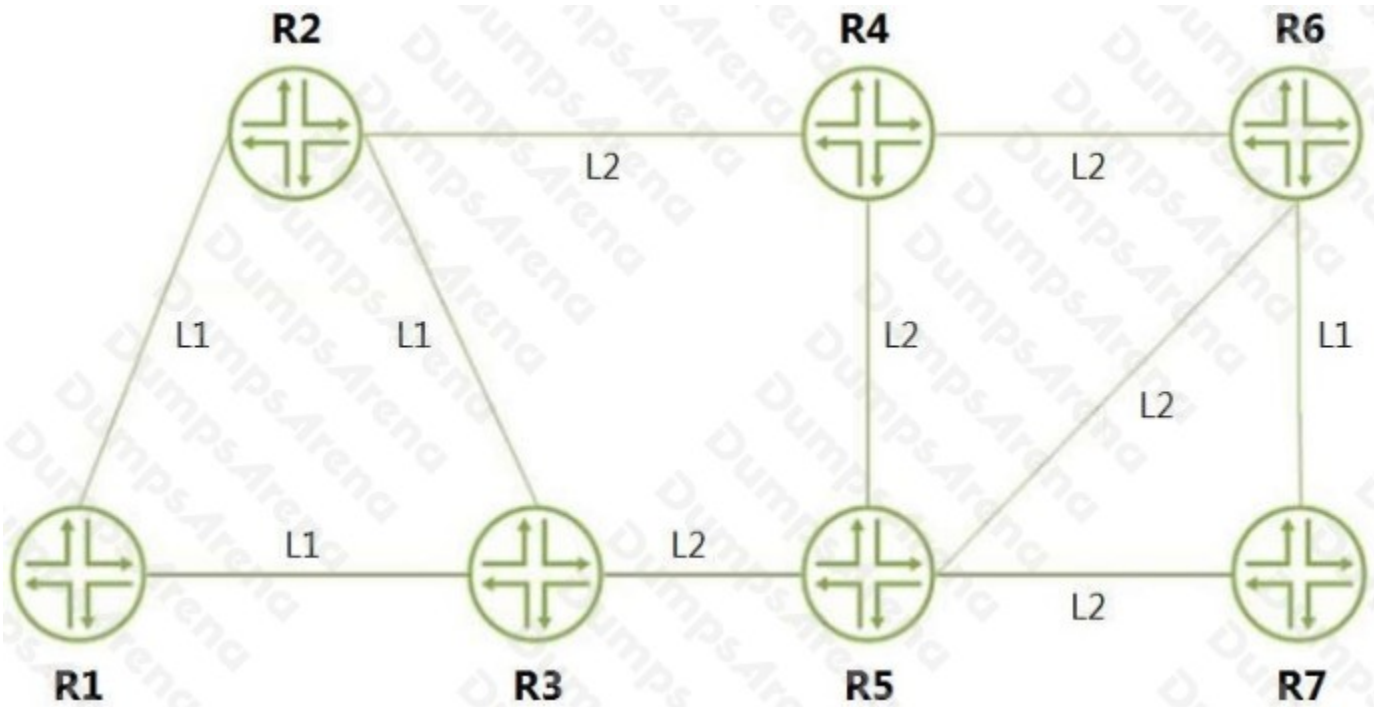
<https://dumpsarena.co>

sales@dumpsarena.co

sales@dumpsarena.co
dumpsarena.co

QUESTION NO: 1

Click the Exhibit button.



Referring to the exhibit, on which three IS-IS routers will the attached bit be set? (Choose three.)

- A. R3
- B. R2
- C. R6
- D. R4
- E. R5

ANSWER: A B C

QUESTION NO: 2

You want to route Layer 3 PVLAN traffic within the secondary VLAN.

What is required to accomplish this task?

- A. an FBF policy

- B. an IRB
- C. a community VLAN
- D. an isolated VLAN

ANSWER: B

QUESTION NO: 3

Click the Exhibit button.

```
user@router> show ospf interface extensive
ge-0/0/0.0    PtToPt    0.0.0.0    0.0.0.0    0.0.0.0    1
  Type: P2P, Address: 10.10.10.14, Mask: 255.255.255.252, MTU: 1500, Cost: 1
  Adj count: 1
  Hello: 10, Dead: 40, ReXmit: 5, Not Stub
  Auth type: None
  Protection type: None
  Topology default (ID 0) -> Cost: 1
ge-0/0/1.0    DR    0.0.0.0    172.29.0.4    172.29.0.2    1
  Type: LAN, Address: 10.10.10.10. Mask: 255.255.255.252, MTU: 1500, Cost: 1
  DR addr: 10.10.10.10, BDR addr: 10.10.10.9, Priority: 128
  Adj count: 1
  Hello: 10, Dead: 40, ReXmit: 5, Not Stub
  Auth type: None
  Protection type: None
  Topology default (ID 0) -> Cost: 1
```

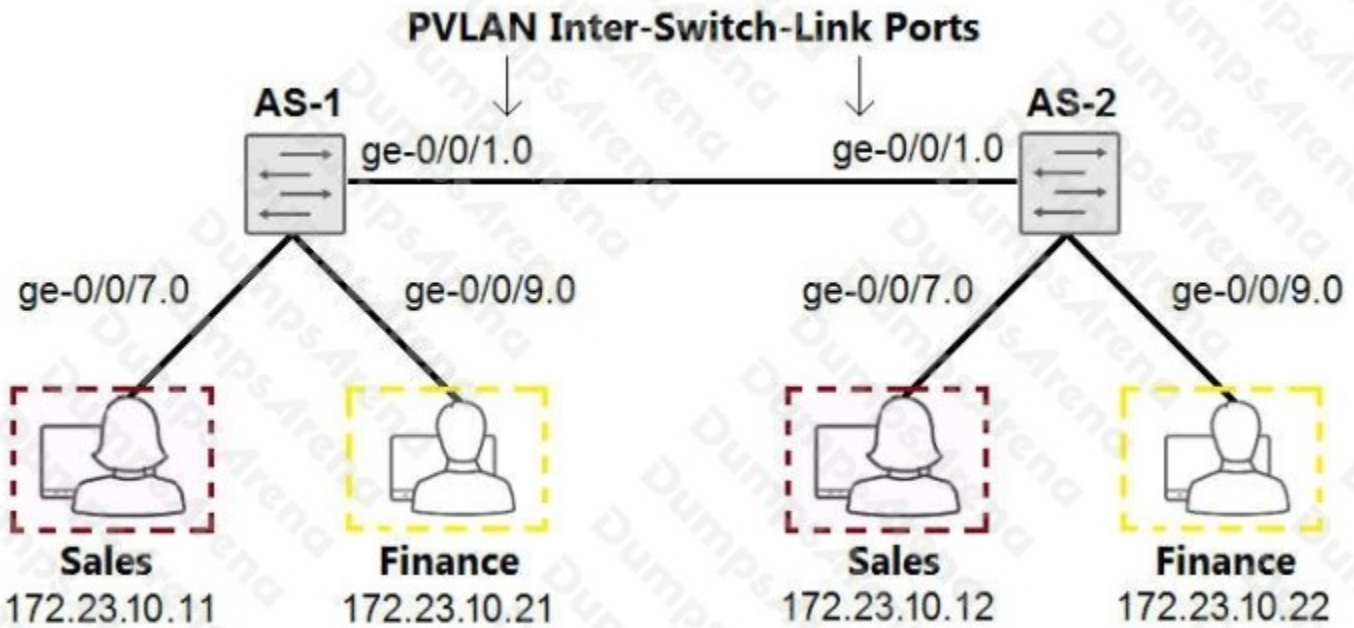
Referring to the exhibit, which two statements are true? (Choose two.)

- A. There can be more than one OSPF neighbor on the ge-0/0/1 interface.
- B. There can be more than one OSPF neighbor on the ge-0/0/0 interface.
- C. There is no need for a DR for the ge-0/0/0 interface.
- D. The DR election process is not finished for the ge-0/0/0 interface.

ANSWER: A C

QUESTION NO: 4

Click the Exhibit button.



You are configuring the PVLAN feature on your switches. The PVLAN will span the two EX Series switches shown in the exhibit.

Which three configuration parameters must be enabled on the ports connecting the two switches?

(Choose three.)

- A. family inet
- B. family ethernet-switching
- C. inter-switch-link
- D. interface-mode trunk
- E. interface-mode access

ANSWER: B C E

QUESTION NO: 5

```
[edit protocols pim]
user@R1# show
rp {
  bootstrap {
    family inet {
      priority 250;
    }
  }
  local {
    address 10.42.0.1;
    group-ranges {
      224.0.0.0/4;
    }
  }
}
interface ge-0/0/0.0 {
  disable;
}
interface all;

[edit protocols pim]
user@R2# show
rp {
  bootstrap {
    family inet {
      priority 250;
    }
  }
  local {
    address 10.42.0.2;
```

```
local {  
    address 10.42.0.2;  
    group-ranges {  
        224.0.0.0/4;  
    }  
}  
}  
interface ge-0/0/0.0.0.1
```

Referring to the exhibit, there are multiple ASM groups in the 224.0.0.0/4 range.

Which configuration change is needed to ensure R1 is always the RP for group 224.224.1.1?

- A. Set the priority on R1 to zero.
- B. Increase the priority on R1 to higher than R2.
- C. Configure R1 with a higher local RP address.
- D. Ensure R1 has a more specific group range.

ANSWER: A

QUESTION NO: 6

You are implementing a single spanning tree instance in your network and want to use the protocol that will give you the best convergence time in the event of a physical network failure of the root bridge.

Which spanning tree protocol will satisfy this requirement?

- A. RSTP
- B. STP
- C. MSTP
- D. VSTP

ANSWER: A

QUESTION NO: 7

You have multiple BGP routes to the same prefix with equal local-preference values and AS-path lengths.

In this scenario, which route will be preferred in the route selection process?

- A. The route with the least preferred origin value.
- B. The route with the lowest MED value.
- C. The route with the most preferred origin value.
- D. The route with the highest MED value.

ANSWER: C

QUESTION NO: 8

You are currently using VLAN IDs 2 through 300 within your Layer 2 domain and you need to configure VSTP to prevent loops. You must ensure that all VLANs are loop free.

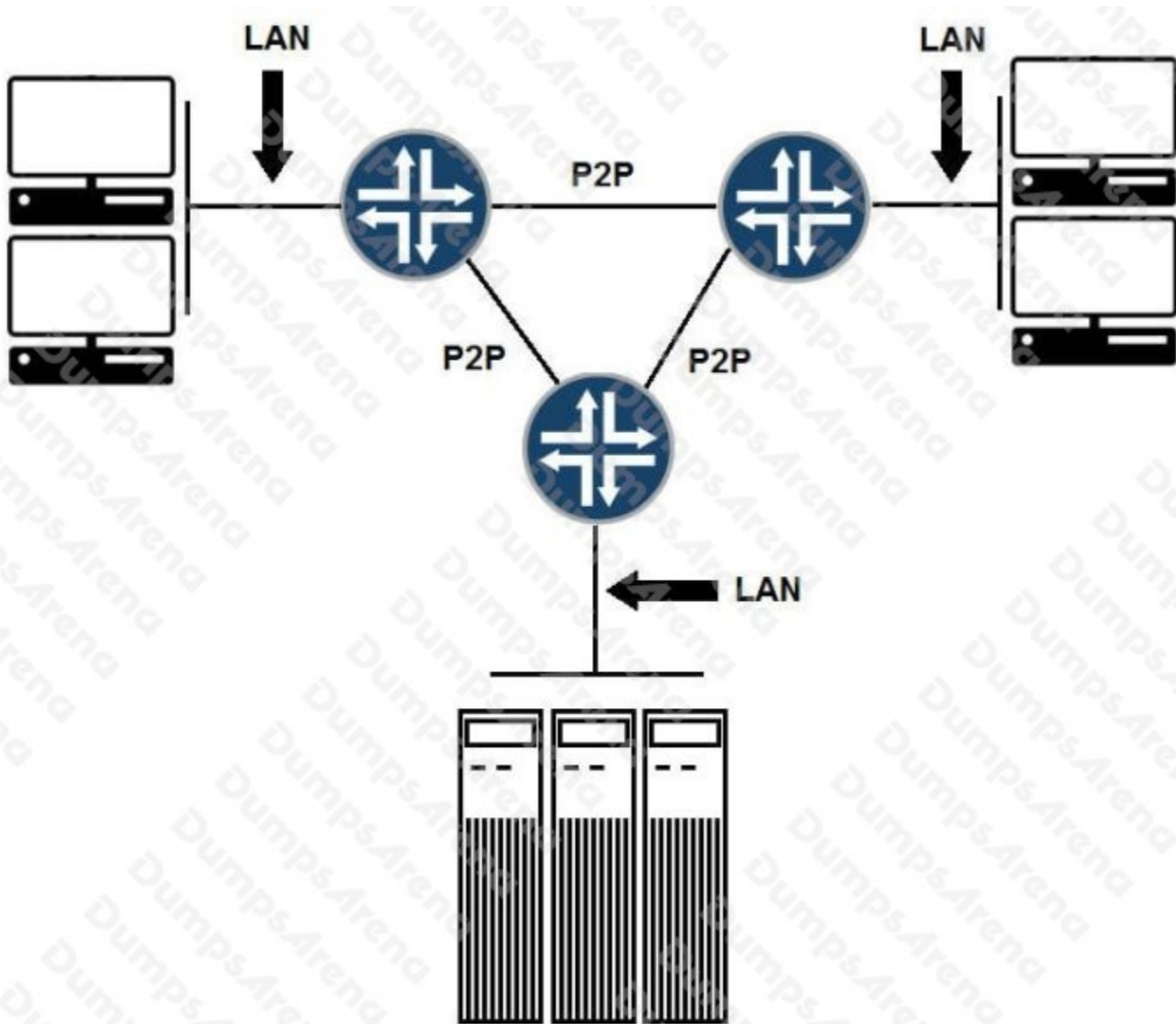
In this scenario, which statement is correct?

- A. You must ensure that the VLANs are balanced between two different root bridges.
- B. You must enable RSTP to account for all VLANs.
- C. You must ensure that the bridge priority is set to the lowest value on all switches in the Layer 2 domain.
- D. You must enable all VLANs, 2 through 300, under the VSTP configuration.

ANSWER: D

QUESTION NO: 9

Click the Exhibit button.



Referring to the exhibit, which two statements are true with regards to deploying CoS? (Choose two.)

- A. You should apply MF classifiers on the LAN-facing interfaces of the routers.
- B. You should apply MF classifiers on the point-to-point interfaces of the routers.
- C. You should apply BA classifiers on the point-to-point interfaces of the routers.
- D. You should apply BA classifiers on the LAN-facing interfaces of the routers.

ANSWER: A C

QUESTION NO: 10

Which two statements about BGP communities are true? (Choose two.)

- A.** A community is not a transitive attribute.
- B.** A prefix can only belong to one community.
- C.** A BGP device can set, append, or modify the community of a route.
- D.** A prefix can belong to more than one community.

ANSWER: C D