

DUMPS ARENA

Security-Professional (JNCIP-SEC)

Juniper JN0-635

Version Demo

Total Demo Questions: 10

Total Premium Questions: 65

Buy Premium PDF

<https://dumpsarena.co>

sales@dumpsarena.co

sales@dumpsarena.co
dumpsarena.co

QUESTION NO: 1

Click the Exhibit button.

```
user@srx> show security macsec connections
Interface name: ge-0/0/0
  CA name: cal
  Cipher suite: GCM-AES-128           Encryption: on
  Key server offset: 0                Include SCI: no
  Replay protect: off                 Replay window: 0
  Outbound secure channels
    SC Id: 02:00:00:01:01:04/1
    Outgoing packet number: 1
    Secure associations
      AN: 3 Status: inuse Create time: 00:01:43
  Inbound secure channels
    SC Id: 02:00:00:02:01:04/1
    Secure associations
      AN: 3 Status: inuse Create time: 00:01:43
```

Referring to the exhibit, which two statements are true? (Choose two.)

- A. Data is transmitted across the link in plaintext
- B. The link is not protected against man-in-the-middle attacks
- C. The link is protected against man-in-the-middle attacks
- D. Data is transmitted across the link in cyphertext

ANSWER: B D

QUESTION NO: 2

Which Junos security feature is used for signature-based attack prevention?

- A. RADIUS
- B. AppQoS
- C. IPS

D. PIM

ANSWER: C**QUESTION NO: 3**

Click the Exhibit button.

```
user@srx> show log flow-trace
CID-0:RT: flow process pak fast ifl 71 in_ifp ge-0/0/5.0
CID-0:RT: ge-0/0/5.0:10.0.0.2/55892->192.168.1.2/80, tcp, flag 2 syn
CID-0:RT: find flow: table 0x5a386c90, hash 50728(0xffff), sa 10.0.0.2, da
192.168.1.2, sp 55892,
dp 80, proto 6, tok 7
CID-0:RT: no session found, start first path. in_tunnel - 0x0, from_cp_flag -
0
CID-0:RT: flow_first_create_session
CID-0:RT: flow_first_in_dst_nat: in <ge-0/0/5.0>, out <N/A> dst_addr
192.168.1.2, sp 55892, dp 80
CID-0:RT: chose interface ge-0/0/5.0 as incoming nat if.
CID-0:RT:flow_first_rule_dst_xlate. DST no-xlate. 0.0.0.0(0) to
192.168.1.2(80)
CID-0:RT:flow_first_routing. vr_id 0, call flow-route_lookup(): src_ip
10.0.0.2, x_dst_ip
192.168.1.2, in_ifp ge-0/0/5.0, out_ifp N/A sp 55892, dp 80, ip_proto 6, tos
10
CID-0:RT:Doing DESTINATION addr route-lookup
CID-0:RT: routed (x_dst_ip 192.168.1.2) from LAN (ge-0/0/5.0 in 0) to ge-
0/0/1.0, Next-hop:
172.16.32.1
CID-0:RT:flow_first_policy_search.policy search from zone LAN-> zone WAN
(0x0,0xda540050,0x50)
CID-0:RT:Policy lkup: vsys 0 zone(7:LAN) -> zone(6:WAN) scope:0
CID-0:RT:10.0.0.2/55892 -> 192.168.1.2/80 proto 6
CID-0:RT:Policy lkup: vsys 0 zone(5:Unknown) -> zone(5:Unknown) scope:0
CID-0:RT: 10.0.0.2/55892 -> 192.168.1.2/80 proto 6
CID-0:RT: app 6, timeout 1800s, curr ageout 20s
CID-0:RT: packet dropped, denied by policy
CID-0:RT: denied by policy default-policy-00(2), dropping pkt
CID-0:RT: packet dropped, policy deny
CID-0:RT: flow find session returns error
CID-0:RT: ----- flow_process_pkt rc 0x7 (fp rc -1)
CID-0:RT:jsf sess close notify
CID-0:RT:flow_ipv4 del flow: sess, in hash 32
```

A host is unable to communicate with a webserver. Referring to the exhibit, which statement is correct?

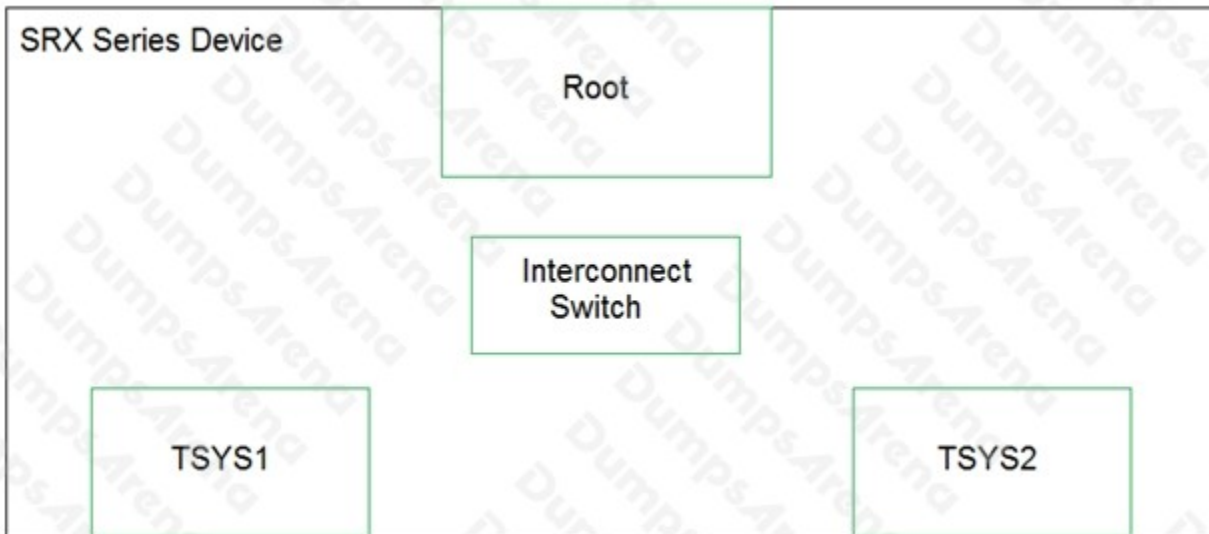
- A. The webserver is not listening for traffic on port 80
- B. A policy is denying the traffic between these two hosts
- C. A session is created for this flow

D. The session table is running out of resources

ANSWER: B

QUESTION NO: 4

Click the Exhibit button.



You have configured tenant systems on your SRX Series device.

Referring to the exhibit, which two actions should you take to facilitate inter-TSYS communication? (Choose two.)

- A. Place the logical tunnel interfaces in a virtual router routing instance in the interconnect switch
- B. Place the logical tunnel interfaces in a VPLS routing instance in the interconnect switch
- C. Connect each TSYS with the interconnect switch by configuring INET configured logical tunnel interfaces in the interconnect switch
- D. Connect each TSYS with the interconnect switch by configuring Ethernet VPLS configured logical tunnel interfaces in the interconnect switch

ANSWER: A C

QUESTION NO: 5

Click the Exhibit button.

```
user@host> show ethernet-switching global-information
Global Configuration:
```

```
MAC aging interval      : 300
MAC learning            : Enabled
MAC statistics          : Disabled
MAC limit Count         : 65535
MAC limit hit           : Disabled
MAC packet action drop  : Disabled
LE aging time           : 1200
LE VLAN aging time      : 1200
Global Mode             : Switching
```

Referring to the exhibit, which two statements are true? (Choose two.)

- A. You can secure intra-VLAN traffic with a security policy on this device
- B. You can secure inter-VLAN traffic with a security policy on this device
- C. The device can pass Layer 2 and Layer 3 traffic at the same time
- D. The device cannot pass Layer 2 and Layer 3 traffic at the same time

ANSWER: A D

QUESTION NO: 6

You are configuring transparent mode on an SRX Series device. You must permit IP-based traffic only, and BPDUs must be restricted to the VLANs from which they originate.

Which configuration accomplishes these objectives? A)

```
bridge {
block-non-ip-all;
bypass-non-ip-unicast;
no-packet-flooding;
}
```

B)

```
bridge {  
block-non-ip-all;  
bypass-non-ip-unicast;  
bpdu-vlan-flooding;  
}
```

c)

```
bridge {  
bypass-non-ip-unicast;  
bpdu-vlan-flooding;  
}
```

D)

```
bridge {  
block-non-ip-all;  
bpdu-vlan-flooding;  
}
```

- A. Option A
- B. Option B
- C. Option C
- D. Option D

ANSWER: B**QUESTION NO: 7**

Malware that is detonated by the JATP sandbox must be able to communicate with the Internet without being able to harm your local network resources.

Which statement is correct in this scenario?

- A. The management interface must be connected to the Internet zone
- B. The exhaust interface must be connected to the Internet zone

- C. The honeypot interface must be connected to the Internet zone
- D. The monitoring interface must be connected to the Internet zone

ANSWER: A

QUESTION NO: 8

Your organization has multiple Active Directory domains to control user access. You must ensure that security policies are passing traffic based upon the users' access rights.

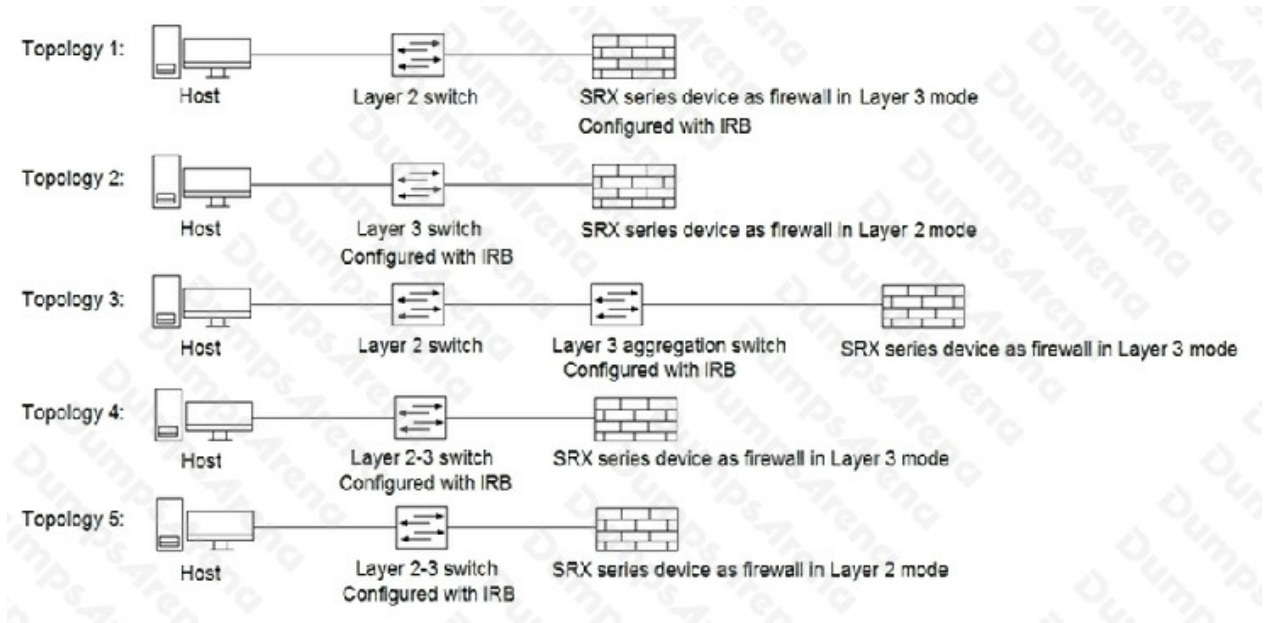
What would you use to assist your SRX Series devices to accomplish this task?

- A. JATP Appliance
- B. JIMS
- C. JSA
- D. Junos Space

ANSWER: B

QUESTION NO: 9

Click the Exhibit button.



Referring to the exhibit, which three topologies are supported by Policy Enforcer? (Choose three.)

- A. Topology 3
- B. Topology 5
- C. Topology 2
- D. Topology 4
- E. Topology 1

ANSWER: A D E

QUESTION NO: 10

In which two ways are tenant systems different from logical systems? (Choose two.)

- A. Tenant systems have higher scalability than logical systems
- B. Tenant systems have less scalability than logical systems
- C. Tenant systems have fewer routing features than logical systems
- D. Tenant systems have more routing features than logical systems

ANSWER: A C