

DUMPS ARENA

Implementing and Operating Cisco Service Provider Network Core Technologies (350-501 SPCOR)

Cisco 350-501

Version Demo

Total Demo Questions: 20

Total Premium Questions: 473

Buy Premium PDF

<https://dumpsarena.co>

sales@dumpsarena.co

sales@dumpsarena.co
dumpsarena.co

Topic Break Down

Topic	No. of Questions
Topic 1, New Update	254
Topic 2, Architecture	44
Topic 3, Networking	72
Topic 4, MPLS and Segment Routing	37
Topic 5, Services	31
Topic 6, Automation and Assurance	35
Total	473

QUESTION NO: 1

<pre>PE-A ! interface FastEthernet0/0 ip address 10.10.10.1 255.255.255.252 ip ospf authentication null ip ospf 1 area 0 duplex full end ! router ospf 1 log-adjacency-changes passive-interface Loopback0 network 10.10.10.0 0.0.0.3 area 0 default-metric 200 !</pre>	<pre>PE-B ! interface FastEthernet0/0 ip address 10.10.10.2 255.255.255.252 ip ospf authentication null ip mtu 1400 ip ospf 1 area 0 duplex half end ! R1#sho run b router ospf router ospf 1 log-adjacency-changes passive-interface Loopback10 network 10.10.10.0 0.0.0.255 area 0 default-metric 100</pre>
--	---

Refer to the exhibit. Which configuration prevents the OSPF neighbor from establishing?

- A. default-metric
- B. duplex
- C. network statement
- D. mtu

ANSWER: D**QUESTION NO: 2**

Which configuration modifies Local Packet Transport Services hardware policies?

- A. **configure**
lpts police
exception invalid rate 400
protocol cdp rate 50
protocol arp rate 5000
- B. **configure**
lpts pifib police hardware
flow ospf unicast default rate 200
flow bgp configured rate 200
flow bgp default rate 100
!
lpts pifib police hardware location 0/2
flow ospf unicast default rate 100
flow bgp configured rate 300
flow icmp application rate 100
flow icmp default rate 100
!
- C. **configure**
lpts pifib hardware police
flow ospf unicast default rate 200
flow bgp configured rate 200
flow bgp default rate 100
!
lpts pifib hardware police location 0/2/CPU0
flow ospf unicast default rate 100
flow bgp configured rate 300
flow icmp application rate 100
flow icmp default rate 100
!
- D. **configure**
lpts punt police location 0/0/CPU0
exception invalid rate 400
protocol cdp rate 50
protocol arp rate 5000

```
exception invalid rate 400
protocol cdp rate 50
protocol arp rate 5000
protocol ipv4 options rate 100
exception icmp rate 200
```

- A. Option A
- B. Option B
- C. Option C
- D. Option D

ANSWER: C

Explanation:

Reference: https://www.cisco.com/c/en/us/td/docs/routers/crs/software/crs_r4-1/addr_serv/command/reference/b_ipaddr_cr41crs/b_ipaddr_cr41crs_chapter_0111.html#wp1754734006

QUESTION NO: 3

What is the role of NSO in network automation?

- A. It is a tool used to bridge automation to the physical network infrastructure.
- B. It is a GUI used to manage wireless devices in a campus infrastructure.
- C. It is a type of REST API used to configure an APIC.
- D. It is a tool that uses CLI only to configure virtual network devices.

ANSWER: A

QUESTION NO: 4

Which two actions describe LSP delegation to PCE servers? (Choose two.)

- A. removing TE re-optimization timer timeouts
- B. changing the precedence of any of the PCE servers
- C. entering the mpls traffic-eng reoptimize command
- D. adding a new PCE server with lower precedence than the primary PCE

E. adding a new PCE server with higher precedence than the primary PCE

ANSWER: C E

Explanation:

Reference: https://www.cisco.com/c/en/us/td/docs/ios-xml/ios/seg_routing/configuration/xe-16-12/segrrt-xe-16-12-book/sr-pcep-lsp.html

QUESTION NO: 5

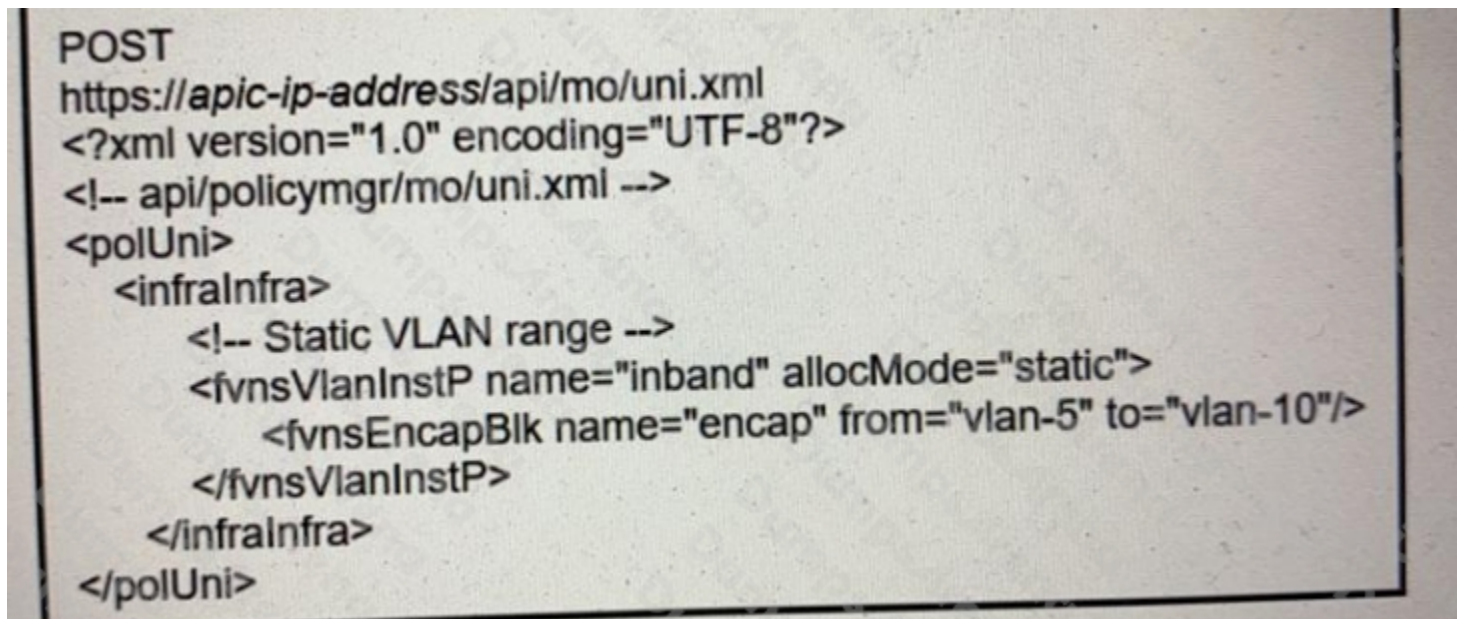
Which two routing protocols support Cisco MPLS TE tunnels? (Choose two.)

- A. IS-IS
- B. RIP
- C. BGP
- D. OSPF
- E. EIGRP

ANSWER: A D

QUESTION NO: 6

Refer to the exhibit.



```
POST
https://apic-ip-address/api/mo/uni.xml
<?xml version="1.0" encoding="UTF-8"?>
<!-- api/policymgr/mo/uni.xml -->
<polUni>
  <infrainfra>
    <!-- Static VLAN range -->
    <fvnsVlanInstP name="inband" allocMode="static">
      <fvnsEncapBlk name="encap" from="vlan-5" to="vlan-10"/>
    </fvnsVlanInstP>
  </infrainfra>
</polUni>
```

What does the script configure?

- A. a VLAN namespace
- B. selectors for the in-band management
- C. a physical domain
- D. a static VLAN

ANSWER: D

QUESTION NO: 7 - (DRAG DROP)

DRAG DROP

Drag and drop the methods of Cisco MPLS TE tunnel traffic assignment from the left onto their characteristics on the right.

Select and Place:

autoroute	It assigns traffic to the tunnel dynamically
CBTS	It optimizes streaming services
PBTS	It requires the administrator to manually assign traffic to the tunnel
static routing	It uses CoS values to assign traffic to the tunnel

ANSWER:

autoroute	autoroute
CBTS	PBTS
PBTS	static routing
static routing	CBTS

Explanation:**QUESTION NO: 8**

A network operator needs to implement PIM-SSM multicast configuration on a customer's network so that users in different domains are able to access and stream live traffic. Which two actions must the engineer perform on the network to make the streaming work? (Choose two.)

- A. Enable IGMP version 3 at the interface level.
- B. Enable PIM dense mode on the device.
- C. Enable PIM sparse mode on the device.
- D. Enable IGMP version 2 at the interface level.
- E. Configure at least one MSDP peer on the network.

ANSWER: A E**QUESTION NO: 9**

What are two characteristics of MPLS TE tunnels? (Choose two.)

- A. They are unidirectional
- B. The headend and tailend routers of the tunnel must have a BGP relationship
- C. They are run over Ethernet cores only
- D. They use RSVP to provide bandwidth for the tunnel
- E. They require EIGRP to be running in the core

ANSWER: A D**Explanation:**

Reference: https://www.cisco.com/c/en/us/td/docs/ios-xml/ios/mp_te_path_setup/configuration/xe-3s/mp-te-path-setup-xe-3s-book/mp-te-auto-bandwidth.html <https://www.ciscopress.com/articles/article.asp?p=426640&seqNum=2>

QUESTION NO: 10

```
RP/0/0/CPU0:router# show bgp neighbors 192.168.2.2
BGP neighbor is 192.168.2.2, remote AS 1, local AS 140, external link
Remote router ID 0.0.0.0
BGP state = Idle
Last read 00:00:00, hold time is 180, keepalive interval is 60 seconds
Received 0 messages, 0 notifications, 0 in queue
Sent 0 messages, 0 notifications, 0 in queue
Minimum time between advertisement runs is 15 seconds

For Address Family: IPv4 Unicast
BGP neighbor version 0
Update group: 0.1
eBGP neighbor with inbound or outbound policy; defaults to 'drop'
Route refresh request: received 0, sent 0
0 accepted prefixes
Prefix advertised 0, suppressed 0, withdrawn 0, maximum limit 524288
Threshold for warning message 75%

Connections established 0; dropped 0
Last reset 00:02:03, due to BGP neighbor initialized
External BGP neighbor not directly connected.
```

Refer to the exhibit. Based on the show command output, which result is true after BGP session is established?

- A. The IOS XR router advertises and accepts all routes to and from eBGP neighbor 192.168.2.2.
- B. The IOS XR router advertises all routes to the neighbor 192.168.2.2, but it does not accept any routes from 192.168.2.2.
- C. No routes are accepted from the neighbor 192.168.2.2, nor are any routes advertised to it.
- D. The IOS XR router does not advertises any routes to the neighbor 192.168.2.2, but it accepts any routes from 192.168.2.2.

ANSWER: C

QUESTION NO: 11

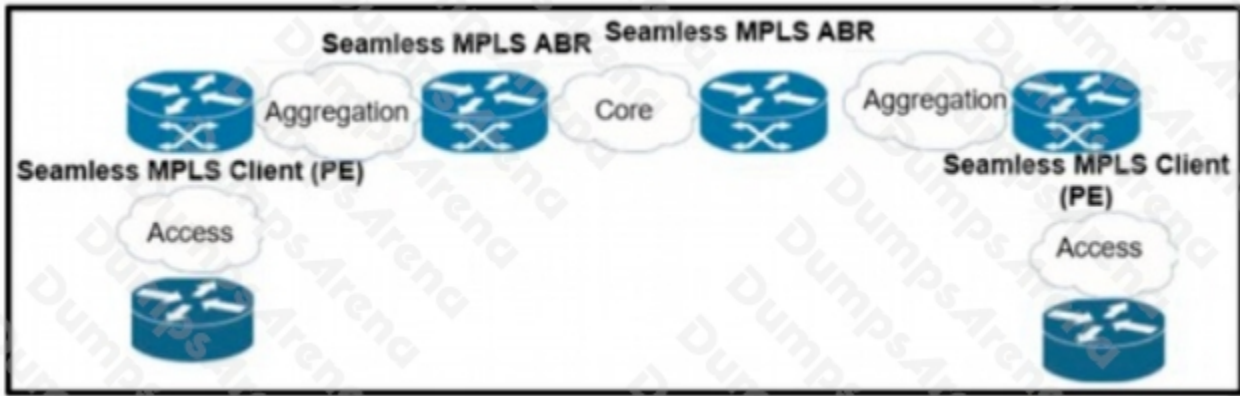
Which two actions describe ISP delegation to PCE servers? (Choose two)

- A. adding a new PCE server with lower precedence than the primary PCE
- B. changing the precedence of any of the PCE servers
- C. removing TE re-optimization timer timeouts
- D. entering the mpls traffic-eng reoptimize command
- E. adding a new PCE server with higher precedence than the primary PCE

ANSWER: A C

QUESTION NO: 12

Refer to the exhibit.



A network operator working for a telecommunication company with an employee 3994:37:650 is implementing a cisco Unified MPLS solution. What is the effect of this implementation?

- A. EIGRP is deployed between the PEs and ABRs with RFC 3107.
- B. OSPF is deployed between the PEs and ABRs with RFC 3107.
- C. IS-IS is deployed between the PEs and ABRs with RFC 3107.
- D. BGP is deployed between the PEs and ABRs with RFC 3107.

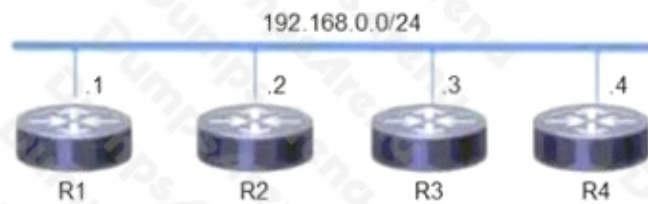
ANSWER: D

Explanation:

Carry Label Information in BGP-4 (RFC 3107)

It is a prerequisite to have a scalable method in order to exchange prefixes between network segments. You could simply merge the IGP's (Open Shortest Path First (OSPF), Intermediate System-to-Intermediate System (IS-IS), or Enhanced Interior Gateway Routing Protocol (EIGRP)) into a single domain. However an IGP is not designed to carry 100,000s of prefixes. The protocol of choice for that purpose is BGP. It is a

QUESTION NO: 13



<pre>R1 router isis net 52.0011.0000.0000.0001.00 interface gigabitethernet0/1 ip address 192.168.0.1 255.255.255.0 ip router isis</pre>	<pre>R3 router isis net 52.0022.0000.0000.0003.00 interface gigabitethernet0/1 ip address 192.168.0.3 255.255.255.0 ip router isis</pre>
<pre>R2 router isis net 52.0022.0000.0000.0002.00 interface gigabitethernet0/1 ip address 192.168.0.2 255.255.255.0 ip router isis</pre>	<pre>R4 router isis net 52.0011.0000.0000.0004.00 interface gigabitethernet0/1 ip address 192.168.0.4 255.255.255.0 ip router isis</pre>

Refer to the exhibit. Which two topology changes happen to the IS-IS routers? (Choose two.)

- A. R1 and R4 are Level 2 neighbors
- B. All four routers are operating as Level 1-2 routers
- C. All four routers are operating as Level 2 routers only
- D. R1 and R2 are Level 2 neighbors
- E. All four routers are operating as Level 1 routers only

ANSWER: B D

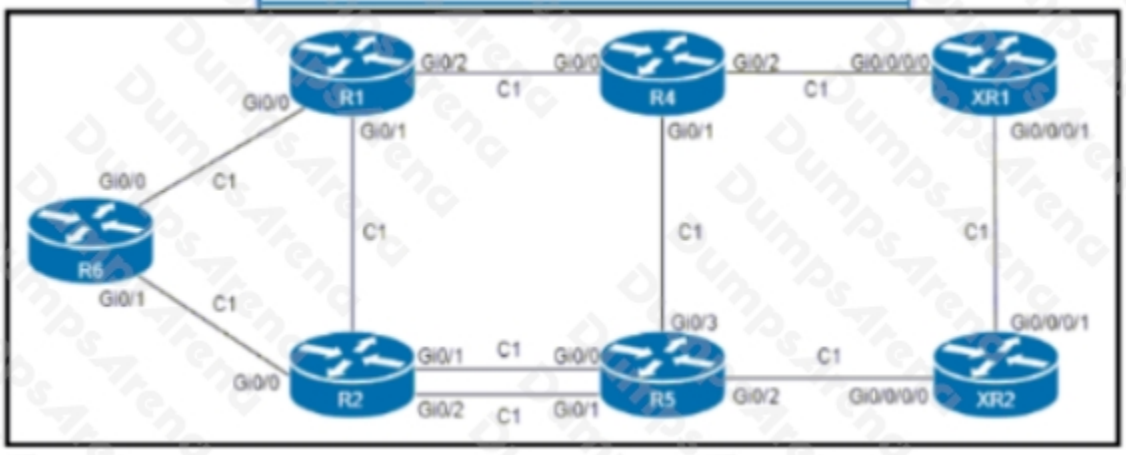
QUESTION NO: 14

The engineering team at a large ISP has been alerted a customer network is experiencing high traffic congestion. After a discussion between the ISP and technical personnel at the customer site, the team agrees that traffic to the customer network that exceeds a specific threshold will be dropped. Which task must the engineer perform on the network to implement traffic policing changes?

- A. Configure RSVP to reserve bandwidth on all interfaces when a path is congested.
- B. Enable Cisco Discovery Protocol on the interface sending the packets.
- C. Enable Cisco Express Forwarding on the interfaces sending and receiving the packets.
- D. Set IP precedence values to take effect when traffic exceeds a given threshold.

ANSWER: D

QUESTION NO: 15



Refer to the exhibit. An engineer configured R6 as the headend LSR of an RSVP-TE LSP to router XR2, with the dynamic path signaled as R6-R2-R5-XR2, and set the OSPF cost of all links to 1. MPLS autotunnel backup is enabled on all routers to protect the LSP. Which two NNHOP backup tunnels should the engineer use to complete the implementation? (Choose two.)

- A. The R6 backup tunnel path R6-R1-R4-R5.
- B. The R2 backup tunnel path R2-R5 across the alternate link.
- C. The R2 backup tunnel path R2-R1-R4-XR1-XR2.
- D. The R6 backup tunnel path R6-R2-R5
- E. The R6 backup tunnel path R6-R1-R2.

ANSWER: A C

QUESTION NO: 16

What do Chef and Puppet have in common?

- A. use Ruby

- B. use a master server
- C. require modules to be created from scratch
- D. manage agents referred to as minions

ANSWER: B

QUESTION NO: 17

```

PE-1#show xconnect name ENNI-ID-100150
Legend:  XC ST=Xconnect State  S1=Segment1 State  S2=Segment2 State
UP=Up    DN=Down              AD=Admin Down  IA=Inactive
SB=Standby HS=Hot Standby    RV=Recovering  NH=No Hardware

XC ST Segment 1                S1 Segment 2                S2
-----+-----+-----
UP pri  ac Gi2:150(Eth VLAN)    UP mpls 172.20.20.2:100150    UP

PE-2#show xconnect name UNI-ID-100150
Legend:  XC ST=Xconnect State  S1=Segment1 State  S2=Segment2 State
UP=Up    DN=Down              AD=Admin Down  IA=Inactive
SB=Standby HS=Hot Standby    RV=Recovering  NH=No Hardware

XC ST Segment 1                S1 Segment 2                S2
-----+-----+-----
UP pri  ac Gi2:10(Eth VLAN)    UP mpls 172.20.20.1:100150    UP

CE-2#show run interface gigabitEthernet 2.10
interface GigabitEthernet2.10
 encapsulation dot1q 10
 ip address 100.65.0.2 255.255.255.252

CE-1#show run interface gigabitEthernet 0/0/0/1.150
interface GigabitEthernet0/0/0/1.150
 ipv4 address 100.65.0.1 255.255.255.252
 encapsulation dot1ad 150 dot1q 10
    
```

Refer to the exhibit. An Ethernet access provider is configuring routers PE-1 and PE-2 to provide E-Access EVPL service between UNI and ENNI. ENNI service multiplexing is based on 802.1ad tag 150, and service-multiplexed UNI is based on 802.1q tag 10. Which EFP configurations must the provider implement on PE-1 and PE-2 to establish end-to-end connectivity between CE-1 and CE-2?

A. On PE-1:
 interface GigabitEthernet2
 service instance 100 ethernet
 encapsulation dot1ad 150
 rewrite ingress tag pop 1 symmetric

On PE-2:
 interface GigabitEthernet2

```
service instance 2 ethernet  
encapsulation dot1q 10
```

B. On PE-1:

```
interface GigabitEthernet2  
service instance 100 ethernet  
encapsulation dot1q 150  
rewrite ingress tag pop 1 symmetric
```

On PE-2:

```
interface GigabitEthernet2  
service instance 2 ethernet  
encapsulation dot1q 10
```

C. On PE-1:

```
interface GigabitEthernet2  
service instance 100 ethernet  
encapsulation dot1ad 150 dot1q 10  
rewrite ingress tag pop 2 symmetric
```

On PE-2:

```
interface GigabitEthernet2  
service instance 2 ethernet  
encapsulation dot1q 10
```

D. On PE-1:

```
interface GigabitEthernet2  
service instance 100 ethernet  
encapsulation dot1ad 150  
rewrite ingress tag pop 1 symmetric
```

On PE-2:

```
interface GigabitEthernet2  
service instance 2 ethernet  
encapsulation dot1q 10  
rewrite ingress tag pop 1 symmetric
```

ANSWER: C

QUESTION NO: 18 - (DRAG DROP)

DRAG DROP

Drag and drop the multicast concepts from the left onto the correct descriptions on the right.

Select and Place:

Answer Area

IGMP	multicast routing protocol that floods traffic to all peers
PIM-DM	technology that manages the process of joining and leaving multicast groups
PIM-SM	technology that requires an RP
shared tree	technology that uses the RP as the single common root
source tree	shortest-path tree

ANSWER:

Answer Area

IGMP	PIM-DM
PIM-DM	IGMP
PIM-SM	shared tree
shared tree	PIM-SM
source tree	source tree

Explanation:

QUESTION NO: 19

A network architect plans to implement MPLS OAM to provide additional troubleshooting functionality for the NOC team. After analyzing the configuration on the MPLS P/PE nodes, the architect decides to revise the CoPP policies. Which two actions ensure that the new solution is secure? (Choose two.)

- A. Allow port 3505 in the outbound direction only.
- B. Allow the ICMP protocol only.
- C. Allow the TCP and UDP protocols.
- D. Allow the UDP protocol only.
- E. Allow port 3503 in the inbound direction only.

ANSWER: D E

QUESTION NO: 20

Which two IS-IS parameters must match before two Level 2 peers can form an adjacency? (Choose two.)

- A. hello timer setting
- B. authentication settings
- C. area ID
- D. system ID
- E. MTU

ANSWER: B E

Explanation:

Reference: <https://www.cisco.com/c/en/us/support/docs/ip/integrated-intermediate-system-to-intermediate-system-is-is/200293-IS-IS-Adjacency-and-Area-Types.html>