

DUMPS ARENA

Workspace ONE Unified Endpoint Management Specialist

VMware 5V0-61.19

Version Demo

Total Demo Questions: 10

Total Premium Questions: 60

Buy Premium PDF

<https://dumpsarena.co>

sales@dumpsarena.co

sales@dumpsarena.co
dumpsarena.co

QUESTION NO: 1

An administrator is required to manually set up VMware Identity Manager in the Workspace ONE UEM.

Which type of REST API account is required? (Choose two.)

- A. Application Management User
- B. Console Administrator User
- C. Enrollment User
- D. Admin
- E. Full Access User

ANSWER: C D**Explanation:**

Reference: https://docs.vmware.com/en/VMware-Workspace-ONE/services/intelligent-hub_IDM/GUID-E12AE819-273C-4E7A-8CE70870838BE67B.html

QUESTION NO: 2

Which three Active Directory user properties are required to be automatically imported to the Workspace ONE UEM console? (Choose three.)

- A. Distinguished Name
- B. Email Address
- C. User Principal Name
- D. Last Name
- E. Phone Number
- F. First Name

ANSWER: A B C**QUESTION NO: 3**

What are the minimum requirements for the PowerShell Mail integration with Microsoft Exchange service account when only iOS and Android devices are in use? (Choose two.)

- A. Mail Recipients role.
- B. Recipient Policies role.
- C. PowerShell 2.0.
- D. Port 80 between device server and Exchange server opened.
- E. Organization Client Access role.

ANSWER: C E

QUESTION NO: 4

An administrator has enabled Kerberos Constrained Delegation (KCD) on the SEG v2. If the administrator publishes a profile without a certificate payload and the user enters the password, everything works fine. When the user publishes the same profile with a certificate payload, the system is unable to connect and synchronize emails.

Which two troubleshooting steps need to be taken? (Choose two.)

- A. KCD is not supported on SEG v2.
- B. Verify if the service account is a member of the IIS user group on each CAS Exchange server.
- C. Verify that the Workspace UEM Console certificate is uploaded as a client certificate chain.
- D. Verify that port 88 is not blocked between the SEG and the Active Directory domain controller(s).
- E. Verify that the service account is set to the service type OWA.

ANSWER: C D

Explanation:

Reference https://docs.vmware.com/en/VMware-Workspace-ONE-UEM/1907/WS1_KCD_SEGV2_Doc.pdf

QUESTION NO: 5

Which two settings or keys are required to enable Email Notification Service for Cloud (ENS) in the Workspace ONE UEM Application Configuration section? (Choose two.)

- A. ENSTokenAPI
- B. AccountNotifyPush
- C. EWSAPI
- D. URL

E. ENSLinkAddress

ANSWER: B E

Explanation:

Reference: https://docs.vmware.com/en/VMware-Workspace-ONE-UEM/1908/WS1_ENS2_Doc/GUID-AWT-ENABLE-ENS-V2-CLOUD.html

QUESTION NO: 6

Which Console location should be used to troubleshoot a device?

- A. Monitor > Reports and Analytics > Events > Logs
- B. Groups & Settings > Admin > Device Events
- C. Monitor > Reports and Analytics > Events > Device Events
- D. Groups & Settings > All Settings > Devices & Users > Advanced > Logs

ANSWER: A

QUESTION NO: 7

Which ports are required to the CA when using the Microsoft CA with DCOM?

- A. 135, 443, 389
- B. 443, 389, 49152-65535
- C. 135, 1025-5000, 49152-65535
- D. 389, 1025-5000, 49152-65535

ANSWER: C

Explanation:

Reference: https://docs.vmware.com/en/VMware-Workspace-ONE-UEM/1908/Certificate_Authority_Integrations/GUID-77BD9299-DD34-4896-BA85CB21AA27F7AF.html

QUESTION NO: 8

What are the issue severity definitions of Workspace ONE UEM when creating a support ticket?

- A. Very High, High, Medium, Low
- B. High, Medium, Low, Minor
- C. Critical, Major, Minor, Cosmetic
- D. Critical, High, Low, Cosmetic

ANSWER: C

Explanation:

Reference: <https://www.vmware.com/support/policies/severity.html>

QUESTION NO: 9

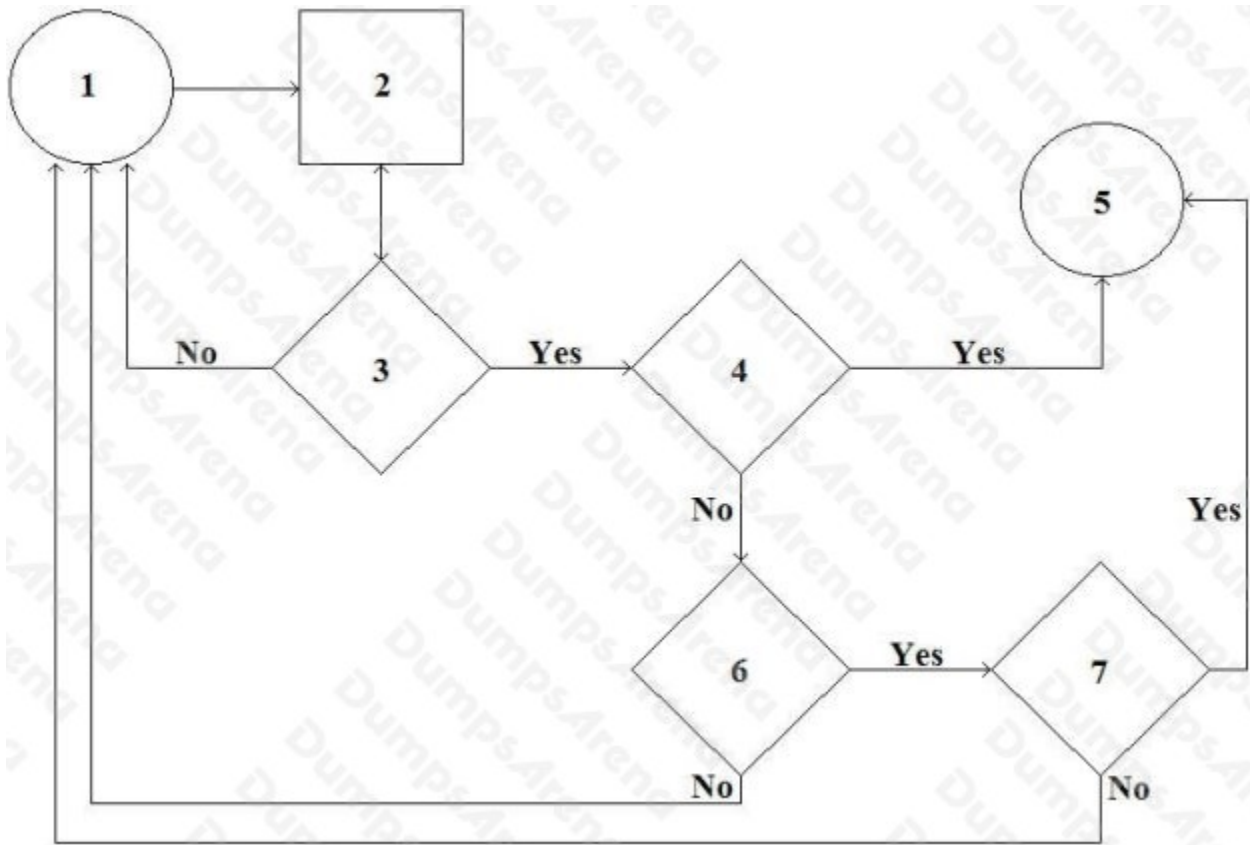
Where is the log level for the environment defined when using an on-premises Workspace ONE UEM?

- A. Global
- B. Local
- C. Organizational unit
- D. Device group

ANSWER: B

QUESTION NO: 10

Given the following Workspace ONE component process flow for troubleshooting:



What is the correct flow description for the UEM Admin Console?

- A. 1 = Information gathering, 2 = Issue reproduction and data collection, 3 = Issue identified and diagnosed, 4 = Apply a fix. Issue resolved?, 5 = Issue resolution, 6 = Product defect, 7 = R&D version fix
- B. 1= Information gathering, 2 = Issue reproduction and data collection, 3 = Issue identified and diagnosed, 4 = Apply a fix. Issue resolved?, 5 = Issue resolution, 6 = R&D version fix, 7 = Product defect
- C. 1 = Apply a fix. Issue resolved?, 2 = Issue reproduction and data collection, 3 = Information gathering, 4 = Issue identified and diagnosed, 5 = Issue resolution. 6 = Product defect, 7 = R&D version fix
- D. 1 = Apply a fix. Issue resolved? 2 = Issue reproduction and data collection, 3 = Issue identified and diagnosed, 4 = Information gathering, 5 = Issue resolution, 6 = Product defect, 7 = R&D version fix

ANSWER: C