

DUMPS ARENA

Data Center - Professional (JNCIP-DC)

Juniper JN0-681

Version Demo

Total Demo Questions: 10

Total Premium Questions: 65

Buy Premium PDF

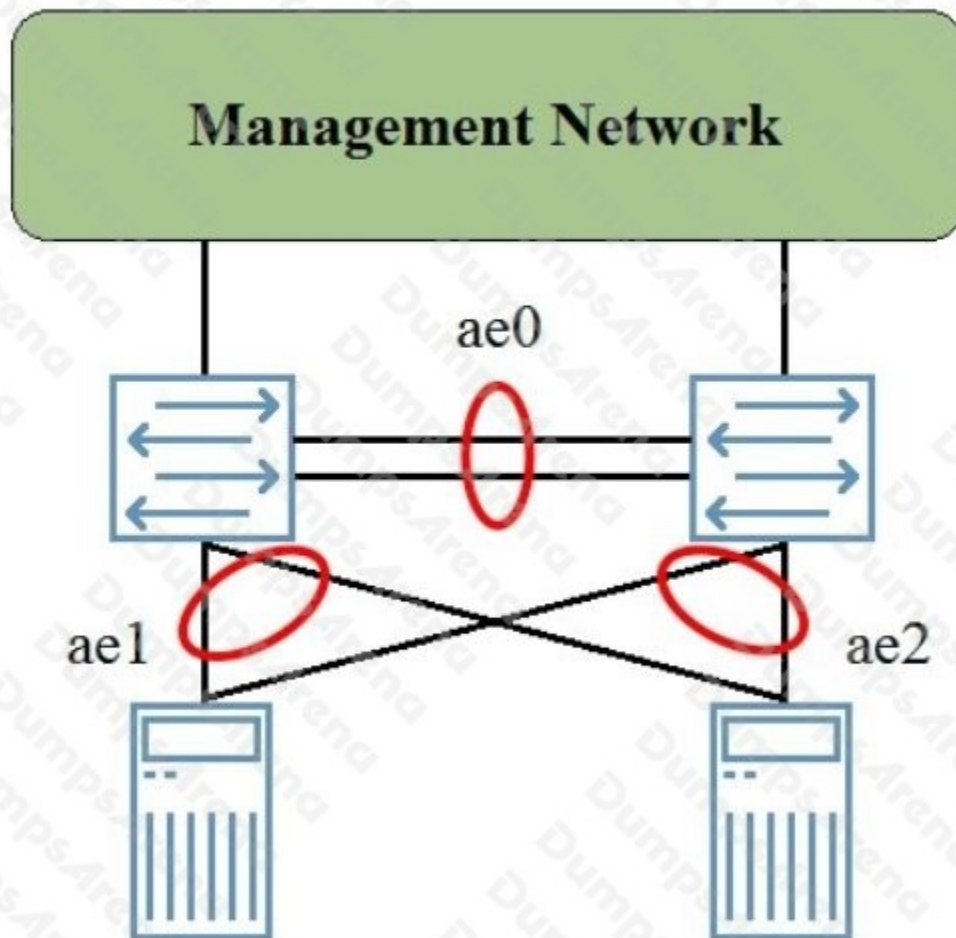
<https://dumpsarena.co>

sales@dumpsarena.co

sales@dumpsarena.co
dumpsarena.co

QUESTION NO: 1

The MC-LAG group shown in the exhibit is providing high availability services for the directly connected servers. The backup liveness detection is applied to the ICL-PL link, however, when one of the members rebooted, there was traffic loss for a few seconds.



In this scenario, where should you apply the backup liveness detection?

- A. on the ae1 interface
- B. on the ae2 interface
- C. on the management interfaces
- D. on the ae0 interface

ANSWER: C

QUESTION NO: 2

What are two valid types of VXLAN signaling? (Choose two.)

- A. EVPN
- B. RSVP
- C. RSTP
- D. MPLS

ANSWER: A D

QUESTION NO: 3

You are configuring VXLAN, and you must ensure that all switches for the multicast groups advertise their existence and learn about other VTEPs.

In this scenario, which protocol will accomplish this task?

- A. OSPF
- B. BGP
- C. EVPN
- D. PIM

ANSWER: C

QUESTION NO: 4

You have configured a new MC-LAG connection to a host. After committing the configuration, the MC-LAG link is not functioning properly.

```

(master:0)[edit interfaces ae1]
user@gfx1# show
aggregated-ether-options {
  lacp {
    active;
    system-id 01:01:01:01:01:01;
    admin-key 1;
  }
  mc-ae {
    mc-ae-id 0;
    chassis-id 0;
    mode active-active;
    status-control active;
  }
}
unit 0 {
  family ethernet-switching {
    vlan {
      members v15;
    }
  }
}

```

```

(master:0)[edit interfaces ae1]
user@gfx2# show
aggregated-ether-options {
  lacp {
    active;
    system-id 01:01:01:01:01:01;
    admin-key 1;
  }
  mc-ae {
    mc-ae-id 1;
    chassis-id 1;
    mode active-active;
    status-control standby;
  }
}
unit 0 {
  family ethernet-switching {
    vlan {
      members v15;
    }
  }
}

```

Referring to the exhibit, how would you solve this problem?

- A. Change the chassis-id on qfx1 to 1.
- B. Configure a system-id on qfx1 that is different from the system-id on qfx2.
- C. Configure the status-control on qfx2 to active.
- D. Change the mc-ae-id on qfx1 to 1.

ANSWER: D

QUESTION NO: 5

Which two statements define the use of route targets and route distinguishers in an EVPN? (Choose two.)

- A. Route targets ensure that routes from different clients remain unique within the data center domain.
- B. Route targets identify the VRF into which the route should be placed.
- C. Route distinguishers ensure that routes from different clients remain unique within the data center domain.
- D. Route distinguishers identify the VRF into which the route should be placed.

ANSWER: B C

QUESTION NO: 6

Which two combinations are supported when configuring a Virtual Chassis Fabric? (Choose two.)

- A. two spine nodes and 28 leaf nodes
- B. four spine nodes and 20 leaf nodes
- C. four spine nodes with 16 leaf nodes
- D. two spine nodes and 16 leaf nodes

ANSWER: C D**QUESTION NO: 7**

You work in a data center where VMs and hosts are frequently moved. Your design needs to eliminate inefficient traffic flows. In this scenario, which two solutions will satisfy this requirement? (Choose two.)

- A. VXLAN
- B. EVPN
- C. VMTO
- D. VPLS

ANSWER: A B**QUESTION NO: 8**

A VXLAN adds 50 to 54 bytes of extra header information to an Ethernet frame.

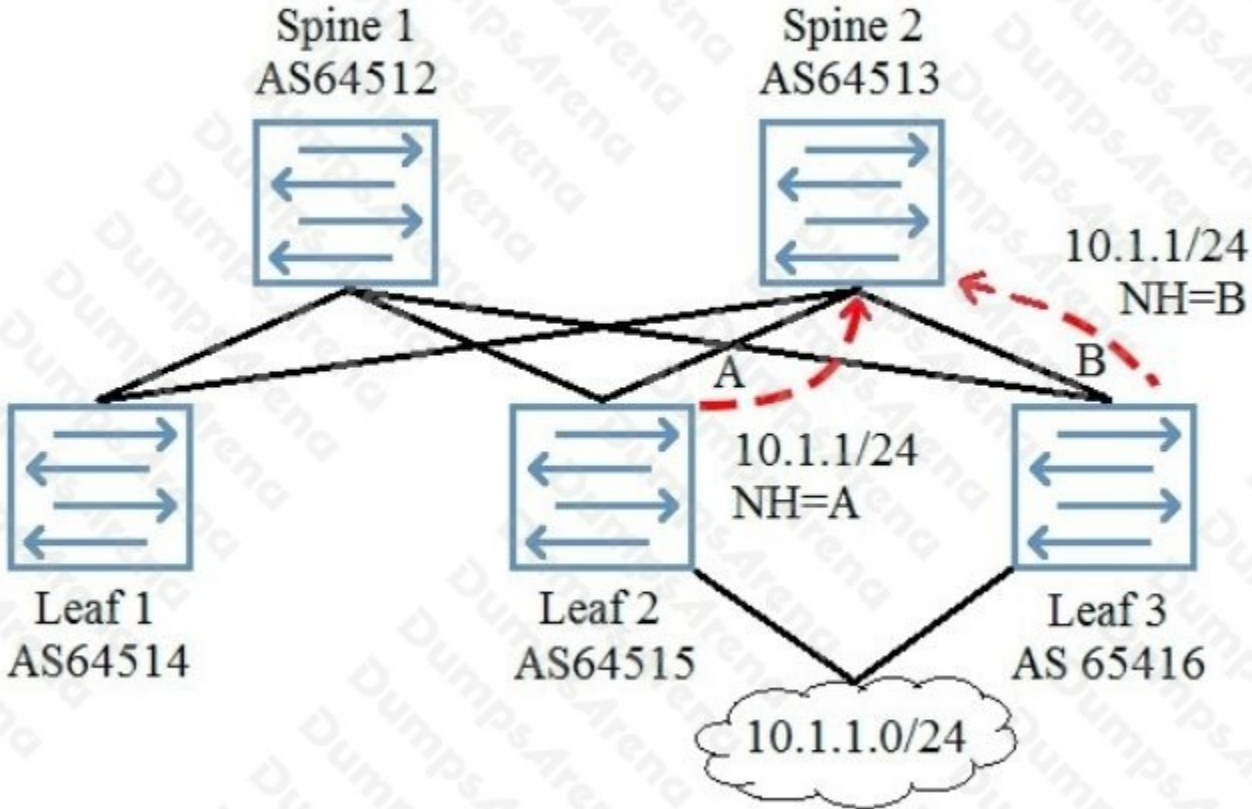
In this scenario, how would you accommodate this increase?

- A. Decrease the number VXLANs used.
- B. Increase the MTU on the physical interface connected to the VXLAN network.
- C. Only use switches as VTEPs.
- D. Increase the MTU on the VTEP interface connected to the VXLAN network.

ANSWER: B

QUESTION NO: 9

Referring to the exhibit, each node in the IP fabric is peering to its directly attached neighbor using EBGP. Each node is peering using physical interface IP addresses. Leaf 2 and Leaf 3 are advertising the 10.1.1/24 network into EBGP. Spine 2 must be configured so that it can load-share traffic destined to the 10.1.1/24 network over both next-hop A and next-hop B.



Which two actions must be performed to accomplish this task? (Choose two.)

- A. Use a load-balancing policy applied to the forwarding table.
- B. Use multipath multiple-AS.
- C. Use advertise-inactive.
- D. Use multihop.

ANSWER: A B

QUESTION NO: 10

You host a multitenant data center that runs VMware. You must perform deep packet inspection on all inter-tenant traffic that is flowing between the VMs within the same hypervisor. Your solution must provide the security services without needing to leave the physical device.

In this scenario, what should you do to solve this problem?

- A. Use separate vSwitches to isolate each tenant's networks and use IP tables to evaluate inter-tenant traffic.
- B. Use VLANs to isolate each tenant's networks and use an SRX Series device to evaluate inter-tenant traffic.
- C. Use a vMX device to isolate each tenant's networks and use with firewall filters to evaluate inter-tenant traffic.
- D. Use separate vSwitches to isolate each tenant's networks and use a vSRX Series device to evaluate inter-tenant traffic.

ANSWER: D