

DUMPS ARENA

**Specialist - Implementation Engineer,
PowerEdge MX Modular**

EMC DES-4421

Version Demo

Total Demo Questions: 7

Total Premium Questions: 54

Buy Premium PDF

<https://dumpsarena.co>

sales@dumpsarena.co

**sales@dumpsarena.co
dumpsarena.co**

QUESTION NO: 1

In the assigned mapping of the MX5016s storage sled what is an assignment option used for independent storage to be mapped to a compute sled?

- A. Drive-assigned enables the MX5016s to be split among multiple compute sleds. Each compute node only “sees” the disks that are assigned to it and not the others.
- B. Drive-assigned enables the MXG610s to the first eight drives in the MX5016s.
- C. Enclosure-assigned enables the MX5016 to be split among multiple compute sleds. Each compute node only “sees” the disks that are assigned to it and not the others.
- D. Enclosure-assigned enables the MXG610s to the first eight drives in the MX5016s.

ANSWER: A**QUESTION NO: 2**

Where in the OME-M Web interface can the Chassis Deployment Wizard be found?

- A. Hardware > Initial Configuration
- B. Configuration > Deploy > Chassis Deployment Wizard
- C. Home > Settings > Chassis Deployment Wizard
- D. Home > Configure > Initial Configuration

ANSWER: D**Explanation:**

Reference: https://topics-cdn.dell.com/pdf/openmanage-enterprise-modular-v10001-poweredgemx7000_users-guide4_en-us.pdf (15)

QUESTION NO: 3

What is the number of server-facing ports and the bandwidth of each port on the MXG610s?

(Choose two.)

- A. 8x 16 Gbps
- B. 16x 32 Gbps

- C. 16x 16 Gbps
- D. 8x 32 Gbps

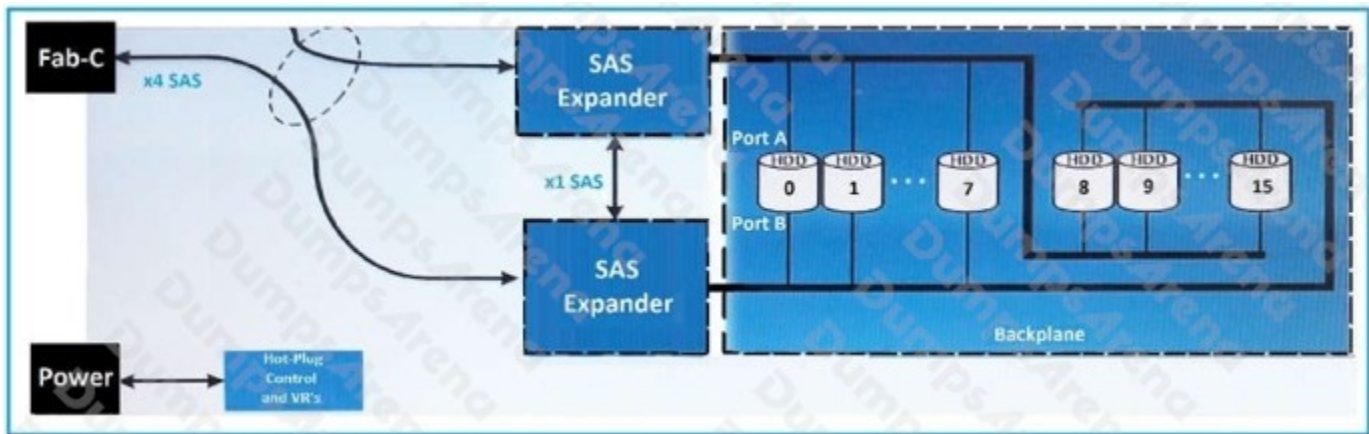
ANSWER: B C

Explanation:

Reference: https://i.dell.com/sites/csdocuments/Product_Docs/en/DellEMCNetworkingMXG610sSpecSheet.pdf (page 1)

QUESTION NO: 4

Refer to the exhibit.



What is shown?

- A. MX5000s
- B. MX5108n
- C. MX5016s
- D. MXG610s

ANSWER: C

QUESTION NO: 5 - (DRAG DROP)

DRAG DROP

An administrator is using the OME-M GUI to change the hostname on an unconfigured I/O module inserted in slot A1. They log on to the MX7000 chassis home page.

What is the correct order of steps the administrator should take to set the management IP address?

Select and Place:

Click Apply	STEP 1
Edit the hostname field	STEP 2
Select IOM-A1 in the list	STEP 3
Select Settings and then Management	STEP 4
Select Devices > I/O Modules	STEP 5

ANSWER:

Click Apply	Select Devices > I/O Modules
Edit the hostname field	Select IOM-A1 in the list
Select IOM-A1 in the list	Select Settings and then Management
Select Settings and then Management	Click Apply
Select Devices > I/O Modules	Edit the hostname field

Explanation:

QUESTION NO: 6

What is a characteristic of MX7000 networking in Scalable Fabric Mode?

- A. Enabled by default, all switch-specific OS10EE capabilities are available.
- B. Layer 2 bridging is disabled by default and interfaces must join a bridge domain (VLAN) before being to forward frames.
- C. All switch interfaces are assigned to VLAN 1 by default and are in the same Layer 2 bridge domain.

D. Available on MX9116n FSE and MX7116n FEM but not on the MX5108n.

ANSWER: D

Explanation:

Reference: <https://hasanmansur.com/2019/01/10/mx7000-networking-part-2-operating-modesiom-selection/>

QUESTION NO: 7

An administrator is about to perform a firmware update on an MX9116n switch OS 10 from the CLI. The latest OS 10 switch firmware image has been downloaded and their TFTP server is set up.

Upon logged in with administrator credentials on the switch, which command should be used to start the update procedure?

- A. firmwaredownload tftp://server-ip/imagename
- B. install tftp://server-ip/imagename
- C. fwupdate tftp://server-ip/imagename
- D. upgrade tftp://server-ip/imagename

ANSWER: B

Explanation:

Reference: https://topics-cdn.dell.com/pdf/smartfabric-os10-5-0_en-us.pdf