

# DUMPS ARENA

## Nokia SRA Composite Exam

Nokia 4A0-C02

Version Demo

Total Demo Questions: 20

Total Premium Questions: 603

Buy Premium PDF

<https://dumpsarena.co>

[sales@dumpsarena.co](mailto:sales@dumpsarena.co)

[sales@dumpsarena.co](mailto:sales@dumpsarena.co)  
[dumpsarena.co](https://dumpsarena.co)

## Topic Break Down

Topic	No. of Questions
Topic 1, Nokia Border Gateway Protocol	151
Topic 2, Nokia Virtual Private LAN Services	156
Topic 3, Nokia Virtual Private Routed Networks	195
Topic 4, Nokia Quality of Service	101
<b>Total</b>	<b>603</b>

**QUESTION NO: 1**

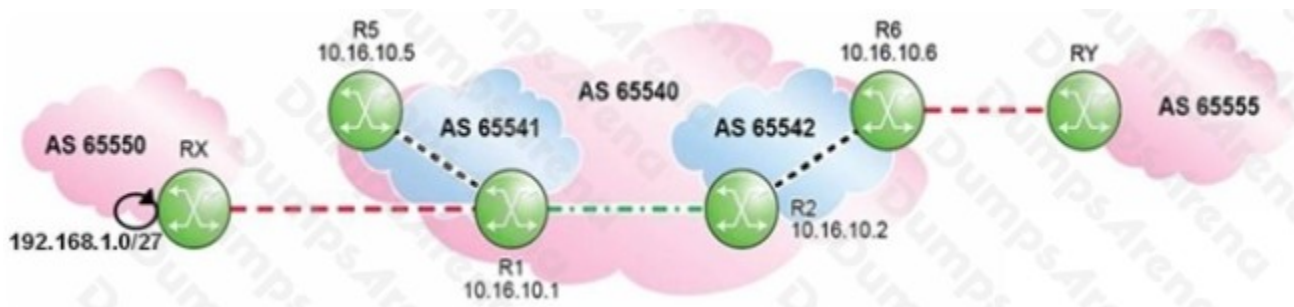
In a VPRN the PE device is configured to run which of the following protocols? (Choose three.)

- A. MP-BGP for exchanging customer routes with other PEs
- B. A routing protocol for exchanging customer routes with the CE
- C. MPLS for exchanging labels with other provider core devices
- D. MPLS for exchanging labels with the CE devices
- E. Targeted LDP for exchanging VPRN labels with other PE devices
- F. A label signaling protocol for defining transport tunnels between PE and CE devices

**ANSWER: A B C**

**QUESTION NO: 2**

Click the exhibit.



Which of the following is a valid BGP configuration for router R2?

A. R2>config>router>bgp# info

```
-----  
group "Conf-eBGP"  
  peer-as 65541  
  neighbor 10.16.10.1  
  exit  
exit  
group "Member-AS"  
  neighbor 10.16.10.6  
  peer-as 65542  
  exit  
exit  
no shutdown
```

B. R2>config>router>bgp# info

```
-----  
group "Conf-eBGP"  
  peer-as 65541  
  neighbor 10.16.10.1  
  exit  
exit  
group "Member-AS"  
  neighbor 10.16.10.6  
  peer-as 65540  
  exit  
exit  
no shutdown
```

C. R2>config>router>bgp# info

```
-----  
group "Conf-eBGP"  
  peer-as 65540  
  neighbor 10.16.10.1  
  exit  
exit  
group "Member-AS"  
  neighbor 10.16.10.6  
  peer-as 65542  
  exit  
exit  
no shutdown
```

D. R2>config>router>bgp# info

```
-----  
group "Conf-BGP"  
  peer-as 65540  
  neighbor 10.16.10.1  
  exit  
  neighbor 10.16.10.6  
  exit  
exit  
no shutdown
```

- A. Option A
- B. Option B
- C. Option C
- D. Option D

**ANSWER: A**

**QUESTION NO: 3**

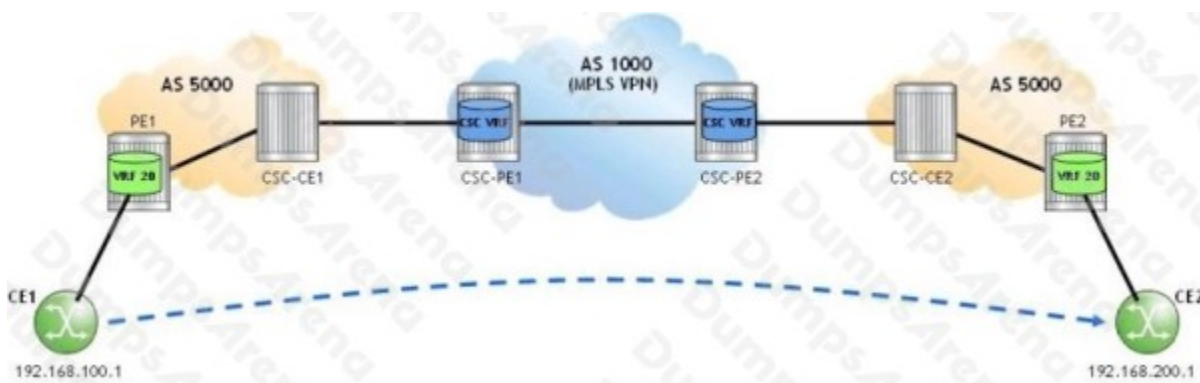
How are policy direction and data flow related on the Alcatel-Lucent 7750 SR?

- A. Import policies affect ingress data flow.
- B. Export policies affect ingress data flow.
- C. Both import and export policies affect ingress data flow.
- D. Policy direction and data flow are independent.

**ANSWER: B**

**QUESTION NO: 4**

Click the exhibit.



A Carrier Supporting Carrier (CSC) VPRN is configured for a customer carrier who is a BGP/MPLS service provider. If CE1 sends an IP packet to 192.168.200.1, which of the following is FALSE?

- A. CE1 forwards the data packet to PE1 via the VPRN 20 interface.
- B. PE1 pushes two labels on the IP packet: a BGP label and an LDP transport label.
- C. CSC-CE1 pops the LDP label and swaps the BGP label.
- D. CSC-PE1 pops the BGP label and pushes a VPN label and an MPLS transport label.

**ANSWER: B**

**QUESTION NO: 5**

Which of the following are major components of QoS functionality on the Alcatel-Lucent 7750 SR? (Choose three)

- A. Microflow reservations using RSVP
- B. DSCP to EXP translation
- C. Traffic classification
- D. Automatic profiling and policy configuration
- E. Buffer memory management
- F. Traffic scheduling

**ANSWER: C E F**

**QUESTION NO: 6**

Which of the following describes the goal of an Extranet VPRN?

- A. To reduce the number of VPRN tunnels required.
- B. To allow routes to be exchanged between all, or selected, sites of one VPRN, and all, or selected, sites of a second VPRN.
- C. To simplify the administration of multiple VPRNs.
- D. To allow network access between the headquarter sites of each VPRN service and a shared VPRN service offered by a third party.

**ANSWER: B**

**QUESTION NO: 7**

Which of the following about the Route Target is TRUE?

- A. The Route Target is added to an IPv4 route to create the VPN-IPv4 route.
- B. The Route Target is an extended community string that identifies VPN membership.
- C. A route can have only one Route Target.
- D. The Route Target is a 64-bit value added to customer prefixes to make them unique.

**ANSWER: B**

**QUESTION NO: 8**

Which of the following are true when ports are configured with the IEEE 802.3ah Loopback Control feature? (Choose 3)

- A. The loopback control PDU instructs the remote port to enter loopback mode.
- B. Putting a port in loopback does not affect customer data flow
- C. Both ports must rediscover the OAM capabilities of each other once the port is put back into service.
- D. Both ports must still send Information PDUs to avoid going back to discovery mode.
- E. When a port is in loopback mode, service mirroring will still work if it is a mirror-source or mirror-destination.
- F. All packets, except for information PDUs, are looped back.

**ANSWER: A D F**

**QUESTION NO: 9**

What kind of BGP attribute is the Multi\_Exit\_Disc?

- A. Optional transitive attribute.
- B. Optional non-transitive attribute.
- C. Well-known mandatory attribute.
- D. Well-known discretionary attribute.

**ANSWER: B**

**QUESTION NO: 10**

Click the exhibit button below. Given that the slope-policy (below) has been enabled and applied on a network port, which of the following statements are TRUE? (Choose three)

```
A:srla>config>qos>slope-policy# info detail
```

```
-----  
description "slope policy"  
high-slope  
  start-avg 50  
  max-avg 70  
  max-prob 60  
  no shutdown  
exit  
low-slope  
  start-avg 10  
  max-avg 20  
  max-prob 80  
  no shutdown  
exit  
time-average-factor 0  
-----
```

- A. All out-of-profile traffic will be dropped before any in-profile is dropped.
- B. The time average factor of 0 will discard all packets arriving in the shared buffer pool.
- C. When the shared buffer utilization reaches 51%, in-profile packets might be dropped.
- D. The highest probability with which an out-of-profile packet can be dropped is 20%.
- E. When an in-profile packet arrives and the shared buffer utilization is at 69%, the packet will have approximately a 60% likelihood of being discarded.

**ANSWER: A C E**

#### QUESTION NO: 11

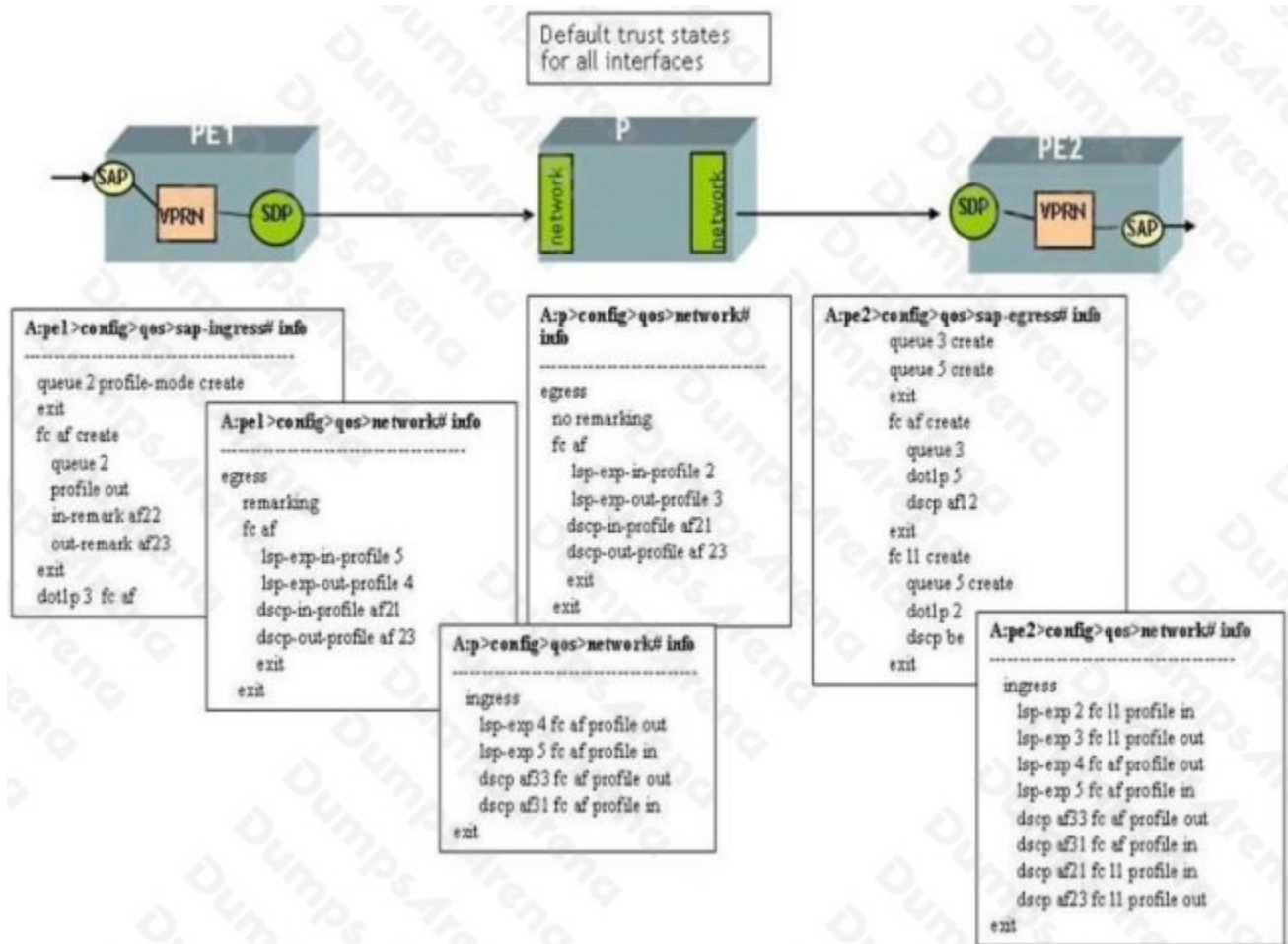
Which OAM tool can be used to dynamically learn the MAC address of a CE device connected to a SAP within a VPLS service?

- A. oam mac-populate
- B. oam mac-ping
- C. oam mac-trace
- D. oam svc-ping
- E. oam cpe-ping

**ANSWER: E**

#### QUESTION NO: 12

Click the exhibit button below.



All interfaces are using their default trust states and MPLS is used as the transport tunnel. The SAP-ingress, SAP-egress, and network QoS policies have been configured as shown below. Assume that the default network-queue policy is used on each router.

At router PE 1, customer traffic is arriving marked with DSCP BE and tagged with a dot1p value of 3.

Based on the configuration shown below for the VPRN service, what will be the DSCP and dot1p marking for the packet egressing at router PE 2? (Choose two)

- A. The DSCP value will be set to af21.
- B. The DSCP value will be set to be.
- C. The DSCP value will be set to af23.
- D. The DSCP value will be set to af 12.
- E. The dot1p value will be set to 5.
- F. The dot1p value will be set to 2.
- G. The dot1p value will be set to 3.

ANSWER: D E

## QUESTION NO: 13

In the output from an Alcatel-Lucent 7750 SR shown below, what does the highlighted text represent?

```
A:PE-1# show router bgp routes
=====
BGP Router ID : 10.10.10.10      AS : 65100   Local AS : 65100
=====
Legend -
Status codes : u - used, s - suppressed, h - history, d - decayed, * - valid
Origin codes : i - IGP, e - EGP, ? - incomplete, > - best
=====
BGP Routes
=====
Flag  Network                Nexthop      LocalPref  MED
VPN Label                As-Path
-----
u*>? 65100:10:10.1.2.0/24    10.10.10.50  100        none
      131071                No As-Path
u*>? 65100:10:10.10.10.78/32 10.10.10.50  100        none
      131071                No As-Path
u*>i 65100:10:10.32.1.0/24   10.10.10.50  100        none
      131071                No As-Path
```

- A. The LDP identifier
- B. The Service identifier
- C. The Route Target
- D. The Route Distinguisher
- E. The tunnel label

ANSWER: D

## QUESTION NO: 14

Which of the following describes the scope of the IEEE 802.3ah EFM standard? (Choose 3)

- A. Monitor and troubleshoot a point-to-point full-duplex link.
- B. Monitor and troubleshoot end-to-end services.
- C. Can be used at the core to trigger MPLS protection mechanisms when a physical failure detection is not possible.
- D. Should not be used at the core to trigger MPLS protection. BFD is the only method that can be used when physical failure detection is not possible.
- E. Valuable in the last-mile connection to the Service Provider demarcation device.

**ANSWER: A C E**

**QUESTION NO: 15**

Which of the following statements are TRUE when discussing self-generated traffic QoS? (Choose two)

- A. In order to mark Layer 2 traffic, sgt-qos will set various ToS bits.
- B. DSCP bits can be set per application, per routing instance.
- C. The DSCP marking stays nc1 for all applications. Only the internal FC is manipulated across different applications.
- D. In order to mark Layer 2 self-generated traffic, network interfaces must be set to dot1Q.
- E. The internal forwarding class for self-generated traffic is set once and applied to the base router and all VPRN instances.

**ANSWER: B D**

**QUESTION NO: 16**

Which of the following are trusted boundaries, by default? (Choose two)

- A. An IES SAP
- B. A VPLS SAP
- C. A network port
- D. AVPRN SAP
- E. An access port

**ANSWER: C D**

**QUESTION NO: 17**

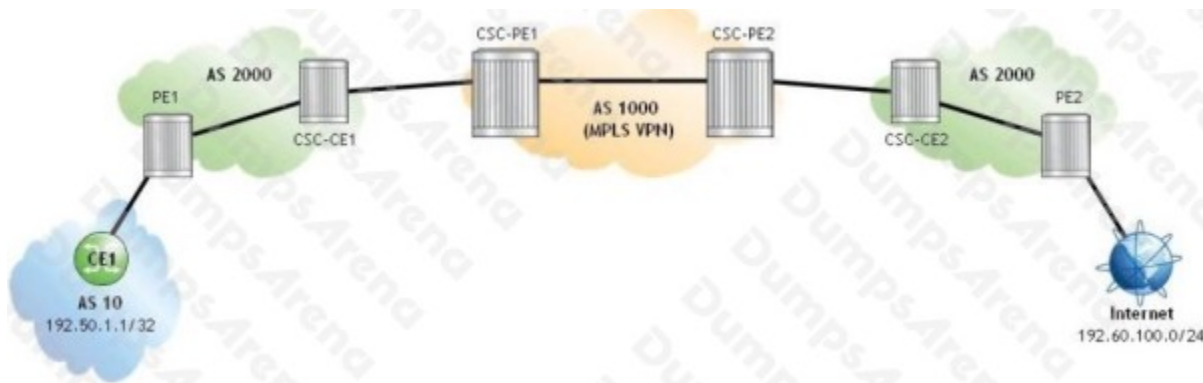
In RSTP, an alternate port is on the same switch as a designated Port.

- A. TRUE
- B. FALSE

**ANSWER: B**

**QUESTION NO: 18**

Click the exhibit.



A Carrier Supporting Carrier (CSC) VPRN is configured on an Alcatel-Lucent 7750 SR for a customer carrier who is an Internet Service Provider (ISP). Which of the following configuration steps is NOT required?

- A. Configuring iBGP sessions between PEs residing in different customer carrier sites.
- B. Configuring a policy on each CSC-CE to advertise local PE addresses to the network provider.
- C. Configuring a CSC VPRN on each CSC-PE with a SAP interface towards the attached CSC-CE.
- D. Configuring an IES service on PEL

**ANSWER: C**

#### QUESTION NO: 19

Why is MAC explosion a factor to be considered when designing a large VPLS network? (Choose 2)

- A. The time to relearn thousands of MAC addresses may result in excessive flooding or loss of packets.
- B. If the FDB reaches the limit, the router will discard frames.
- C. Discarding frames when the FDB limit is reached could deny SLA guarantees.
- D. It could take several seconds to relearn thousands of MAC addresses denying QoS/SLA guarantees.

**ANSWER: A D**

#### QUESTION NO: 20

Click the exhibit button below. Given this scheduler-policy configuration, which of the following can be said about the scheduler called "high"? (Choose two)

```
A:srl1>config>qos>scheduler-policy# info
```

```
-----  
  tier 1  
    scheduler "Root" create  
      description "This is the root scheduler"  
      rate 50000 cir 50000  
    exit  
  exit  
  tier 2  
    scheduler "high" create  
      description "High priority traffic"  
      parent "Root" level 5 cir-level 5  
      rate 30000 cir 25000  
    exit  
  tier 3  
    scheduler "low" create  
      description "Low priority traffic"  
      parent "high" level 2 cir-level 2  
      rate 50000 cir 10000  
    exit  
  exit  
-----
```

- A. It is a parent scheduler.
- B. It is the top-level scheduler.
- C. It can allocate up to 50 Mbps of bandwidth to scheduler "low" since the bandwidth is not used by another Tier 3 scheduler.
- D. It is a child scheduler.
- E. It can only have queues as children.

**ANSWER: A D**