

# DUMPS ARENA

## Nokia Virtual Private LAN Services

Alcatel-Lucent 4A0-105

Version Demo

Total Demo Questions: 10

Total Premium Questions: 156

Buy Premium PDF

<https://dumpsarena.co>

[sales@dumpsarena.co](mailto:sales@dumpsarena.co)

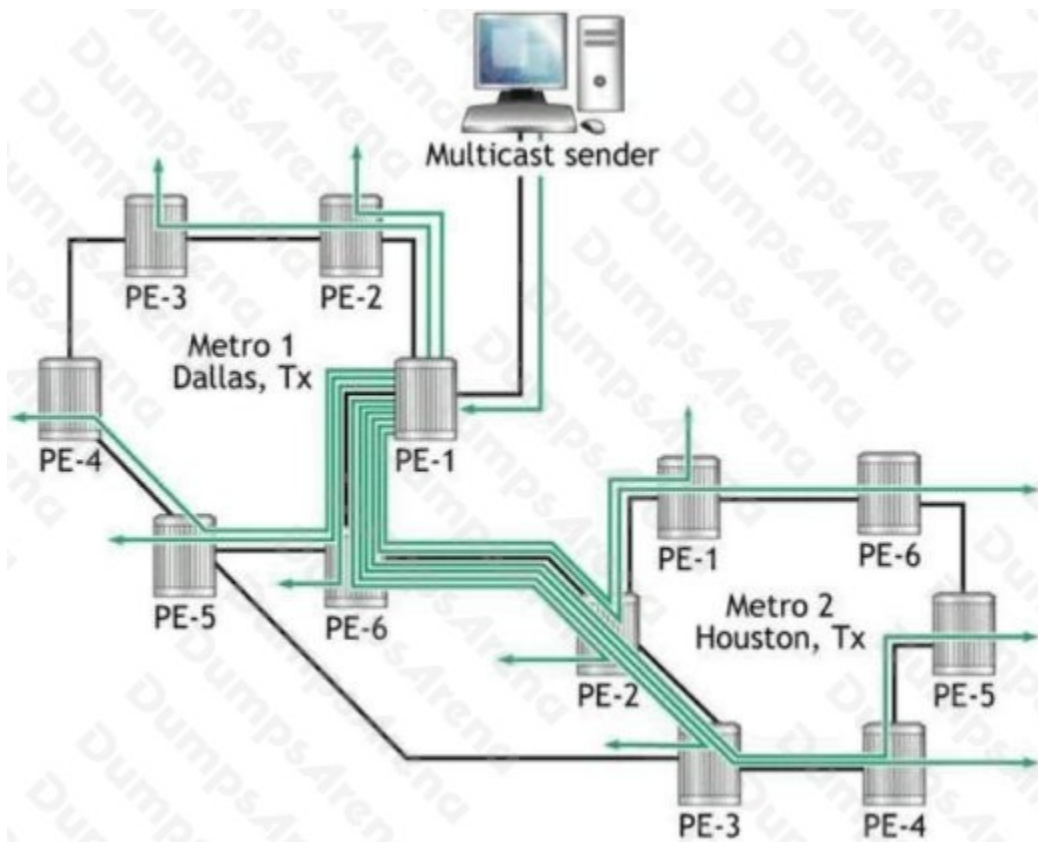
[sales@dumpsarena.co](mailto:sales@dumpsarena.co)  
[dumpsarena.co](https://dumpsarena.co)

## Topic Break Down

Topic	No. of Questions
Topic 1, Volume A	59
Topic 2, Volume B	60
Topic 3, Volume C	37
<b>Total</b>	<b>156</b>

## QUESTION NO: 1

Click on the exhibit below.



Assume PE-1 has a mesh-sdp configured to every PE node in both Metro networks. What could be done to prevent the bandwidth replication between Metro 1 and Metro 2?

- A. PE-1 must be configured with mesh-SDPs to every node receiving the multicast traffic. There is no way to reduce the replication or bandwidth.
- B. PE nodes in Metro 1 could be configured with mesh-SDPs. PE nodes in Metro 2 would be configured with mesh-SDPs. However, the connection between Metro networks (PE-2 to PE-6) can be configured with a spoke-sdp. This would reduce the replication and bandwidth used on the link between Metro networks. This also reduces the replication required by PE-1.
- C. PE-1 can be configured with spoke-SDPs to every PE node in both Metro networks. This will reduce the bandwidth and replication within the network.
- D. PE nodes in Metro 1 could be configured with spoke-SDPs. PE nodes in Metro 2 would be configured with spoke-SDPs. However, the connection between Metro networks (PE-2 to PE-6) can be configured with a mesh-sdp. This would reduce the replication and bandwidth used on the link between Metro networks. This also reduces the replication required by PE-1.

**ANSWER: B**

**QUESTION NO: 2**

When ports configured with IEEE 802.3ah EFM are operationally down, what must the device do before declaring the ports are up?

- A. The device will try to force the other side up using the evaluating flag in the PDU.
- B. The device will wait for the transmit-interval of 5 before trying to rediscover the neighbor.
- C. The device will detect the port change and will wait for normal operation mode.
- D. The device will detect the port change and revert to discovery mode.

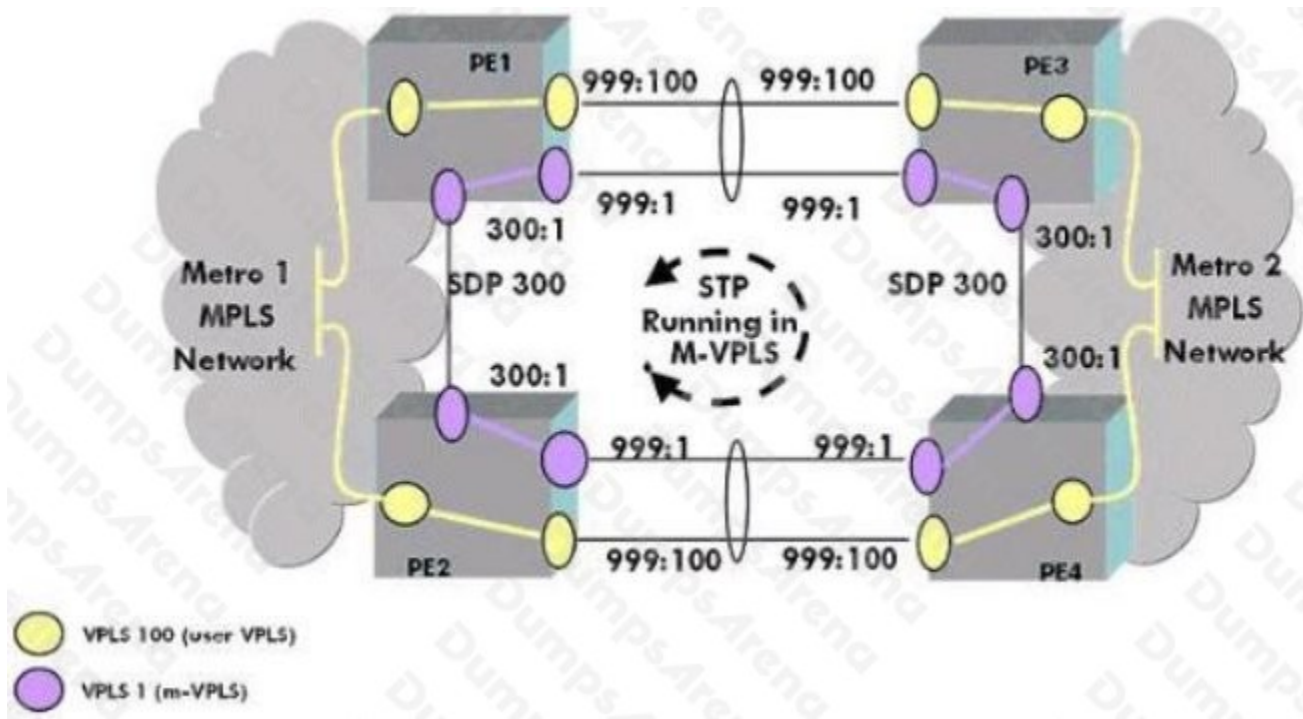
**ANSWER: D****QUESTION NO: 3**

If the max remote-age timer of a B-VPLS is reached, what happens to the remotely learned MAC addresses in the I-VPLS service?

- A. There is no effect. The MAC addresses for the I-VPLS age out independently of the aging of B-VPLS addresses.
- B. The MAC addresses for the I-VPLS will age out immediately following the remote-age out of the backbone-macs of the B-VPLS.
- C. By default, the remote-age timer of the B-VPLS is configured to 0 and addresses do not age out. The I-VPLS uses its own timer.
- D. The same timer is used for B-VPLS and I-VPLS addresses on the node.

**ANSWER: B****QUESTION NO: 4**

Click on the exhibit below.



You have been requested to add load balancing across the redundant spoke-SDPs in the network shown. What further configuration is required? (Choose 2)

- A. An additional management VPLS.
- B. Another set of LSPs between PE1 and PE3 and between PE2 and PE4.
- C. Another set of SDPs between PE1 and PE3 and between PE2 and PE4.
- D. Load balancing has to be enabled within the management VPLS.

**ANSWER: A C**

**QUESTION NO: 5**

Click on the exhibit below.

```
*A:PE1# show service id 1 sdp 4 detail
```

```
=====
Service Destination Point (Sdp Id : 4) Details
=====
```

```
Sdp Id 4:1 - (4.4.4.4)
```

```
-----
SDP Id           : 4:1                Type           : Mesh
VC Type          : Ether              VC Tag         : n/a
Admin Path MTU   : 0                  Oper Path MTU  : 9186
Far End          : 4.4.4.4            Delivery       : MPLS

Admin State      : Up                 Oper State     : Down
Ingress Label    : 131068             Egress Label   : 0

Last Status Change : 10/30/2009 05:15:59 Signaling      : TLDP
Last Mgmt Change   : 10/30/2009 05:13:34 Force Vlan-Vc : Disabled
Flags              : NoEgrVCLabel
Peer Pw Bits      : None

KeepAlive Information :
Admin State        : Disabled         Oper State     : Disabled
Hello Time         : 10               Hello Msg Len  : 0
Max Drop Count     : 3               Hold Down Time : 10

Associated LSP LIST :
Lsp Name          : to-PE4
Admin State       : Up               Oper State     : Up
Time Since Last Tr* : 05d20h00m
-----
```

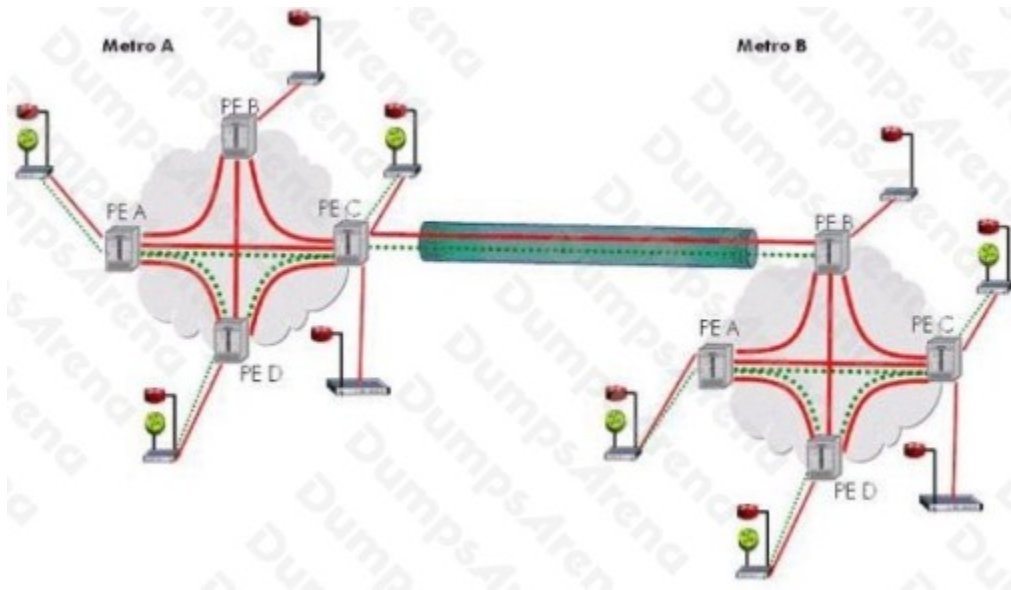
Given the following output what is the most likely reason the SDP binding is operationally down? (Choose 2)

- A. The sdp id is different on the far-end.
- B. LDP is disabled on the far-end.
- C. The vc-id is different on the far-end.
- D. The mesh-sdp is missing on the far-end.
- E. The mesh-sdp is administratively shutdown on PEL
- F. There is an MTU mismatch.

**ANSWER: C D**

### QUESTION NO: 6

Click on the exhibit below.



If the device connected to PE-A in Metro A sends a frame to PE-A that requires replication within the VPLS which device is PE-A responsible for replicating the frame to?

- A. PE-A must replicate the frame to all devices participating in the VPLS
- B. PE-A must replicate the frame to all PEs within Metro A
- C. PE-A must replicate the frame to all devices in the Metro A
- D. All of the above

**ANSWER: B**

**QUESTION NO: 7**

Which OAM tool can be used to dynamically learn the MAC address of a CE device connected to a SAP within a VPLS service?

- A. oam mac-populate
- B. oam mac-ping
- C. oam mac-trace
- D. oam svc-ping
- E. oam cpe-ping

**ANSWER: E**

**QUESTION NO: 8**

The following question relates to this command syntax: "config>service# vpls 9000 customer 6 create". Which of the following statements are correct? (Choose 2)

- A. The customer-id in this command is 9000.
- B. The service-id in this command is 9000.
- C. This value 9000 should be unique across the network as a best practice.
- D. The vc-id will be 6 for the service by default.
- E. The egress vc-label will be 9000.

**ANSWER: B C**

### QUESTION NO: 9

Click on the exhibit below.

```
A:PE1>config>service# show service id 1500 stp
=====
Inherited Stp State (from mVPLS), Service 1500
=====
Sap/Spoke Id      Oper-   Prune-  Port-   Mngd by  Mngd by  Mngd by
State            State   State   State   Service  Sap/spoke MSTI
-----
1/1/1:1500       Up      -       Forward 1      1/1/1:0  CIST
=====
```

Based on the output below which of the following statements is true? (Choose 2)

- A. VPLS1500 is a user VPLS.
- B. VPLS 1500 is management VPLS.
- C. Spanning tree BPDUs for the management VPLS are tagged.
- D. Spanning tree BPDUs for the management VPLS are untagged.

**ANSWER: A D**

### QUESTION NO: 10

In IEEE 802.1ag, which two key functions are configured on bridge ports (SAPs and SDPs) to support CFM messages? (Choose 2)

- A. MEP
- B. MAP
- C. MIP

D. MUP

**ANSWER: A C**