

DUMPS ARENA

ISTQB-BCS Certified Tester Advanced Level- Test Analyst (2012)

BCS TA12

Version Demo

Total Demo Questions: 10

Total Premium Questions: 60

Buy Premium PDF

<https://dumpsarena.co>

sales@dumpsarena.co

sales@dumpsarena.co
dumpsarena.co

Topic Break Down

| Topic | No. of Questions |
|--|-------------------------|
| Topic 1, Test Process | 8 |
| Topic 2, Test Management | 3 |
| Topic 3, Specification-Based Test Techniques | 26 |
| Topic 4, Defect-Based and Experienced-Based Test Techniques | 4 |
| Topic 5, Testing Software Quality Characteristics | 5 |
| Topic 6, Reviews | 4 |
| Topic 7, Defect Management | 7 |
| Topic 8, Test Tools | 3 |
| Total | 60 |

QUESTION NO: 1

Which of the following is a typical work product that the Test Analyst would deliver as part of the test closure activities?

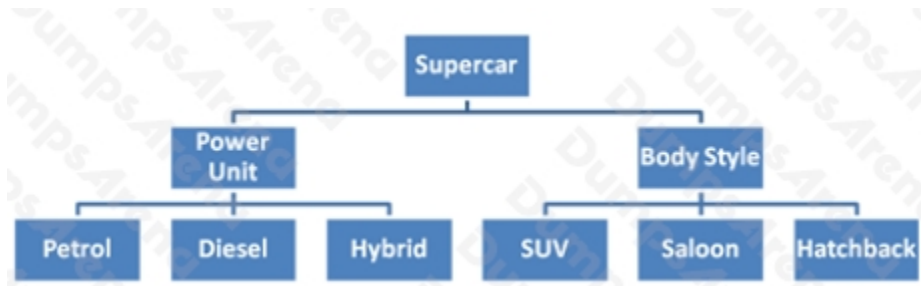
[K2] 1 credit

- A. A list of all deferred defects
- B. A list of all rejected defect reports
- C. A list of all defects found in production and fixed in this release
- D. A list of all resolved defects

ANSWER: A

QUESTION NO: 2

Study the “Supercar” classification tree, which of the following statements is correct?



[K3] 2 credits

- A. The classification tree is correct and complete
- B. The options for “in stock” are missing
- C. Order information is missing
- D. The error message is missing

ANSWER: B

QUESTION NO: 3

Which of the following comments would be the MOST important one you would make?

[K3] 2 credits

- A. Description of flow is not detailed enough
- B. Specific characteristics of actor(s) are missing
- C. No usability acceptance criteria
- D. User tasks not defined

ANSWER: B

QUESTION NO: 4

Ken, an entrepreneur in Leeds finds the quality of the tea locally available so low, that he decides to research superior teas around the world. He decides to market, sell and distribute these superior teas via the web. His market strategy is to offer superior products on a well-designed website with graphics that are fast to load, has high availability, superior usability and fast response times.

The website will offer the following:

- An innovative interactive catalogue of teas, which not only enables customers to buy the product, but also enables them to provide feedback by rating the teas (which will influence his stock purchasing levels)
- Provide the customer with the ability to use secure credit card transactions
- Provide the customer to give general feedback

Ken selects an iterative model for the development of the prototypes. The team consists of three developers that are experienced in web development. Ken, although he doesn't have technical skillset, is concerned with quality. He doesn't believe a lot of documentation is necessary and he wants the website to be completed quickly.

The test basis contains the following:

- Story boards that show the information flow and page links through the site
- HTML pages developed to date.
- A statement of non-functional requirements.

With the strategy taking shape, Ken asks your advice on the specific testing techniques that should be used to complete the required testing, bearing in mind the nature of the application and the nature of Ken's overall objectives.

We now make the assumption that in the scenario described as above, exploratory testing was selected as being the main test technique. You have now been given the task of specifying, executing and recording the exploratory test sessions.

Select TWO of the options below to define what you will typically use for specifying, executing and recording the sessions?

[K3] 2 credits

- A. Record the results in email and send the email to the test manager.
- B. Use external testers on the team to provide a new approach and fresh view to the testing effort.
- C. Create test charters for planned test session.
- D. Use debriefing sessions with stakeholders and other testers to discuss the findings and new risks identified.

E. Define concrete test cases to be executed by the developers.

ANSWER: C D

QUESTION NO: 5

As a test analyst you are gathering data to support accurate metrics. Which of the following metrics would be MOST appropriate to use to monitor product quality?

[K2] 1 credit

- A. Defects found versus defects expected
- B. Tests run and tests passed
- C. Test resources spent versus budget
- D. Compliance to entry criteria
- E. Product risks outstanding and new risks introduced

ANSWER: A B E

QUESTION NO: 6

A company wants to develop a web site to implement an on-line sales channel. The company has decided to do some usability testing, but resources are limited. The usability testing has therefore to be done as efficient as possible. Which THREE techniques would you recommend?

[K4] 3 credits, 2 out of 3 correct 1 credit

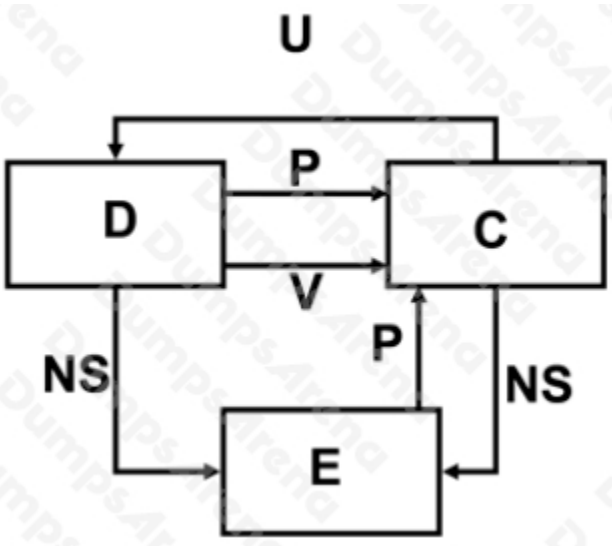
- A. SUMI
- B. Usability laboratory
- C. Use case testing
- D. Heuristic evaluation
- E. Equivalence partitioning
- F. Pairwise testing
- G. Exploratory testing

ANSWER: A C D

QUESTION NO: 7

Using the state diagram (based on the "Route Calculation"), how many test cases are needed to achieve 1-switch coverage?

| | Position | Velocity | Updated | No Signal |
|-------------|-------------|-------------|------------|-----------|
| Displaying | Calculating | Calculating | - | Error |
| Calculating | - | - | Displaying | Error |
| Error | Calculating | - | - | - |



[K3] 3 credits

- A. 9
- B. 10
- C. 11
- D. 12

ANSWER: D

QUESTION NO: 8

Consider the following description in a defect report "Nasty bug trashed contents of new file that I created by formatting some text in symbol font, wasting my time."

Which TWO of the following comments would you immediately make based on the defect description above?

[K4] 3 credits, 1 out of 2 correct 1 credit

- A. Needs to be neutralized

- B. Steps to reproduce are unclear
- C. No attempt to isolate the defect
- D. More than one defect in one report
- E. Possible duplicate

ANSWER: A B

QUESTION NO: 9

Ken, an entrepreneur in Leeds finds the quality of the tea locally available so low, that he decides to research superior teas around the world. He decides to market, sell and distribute these superior teas via the web. His market strategy is to offer superior products on a well-designed website with graphics that are fast to load, has high availability, superior usability and fast response times.

The website will offer the following:

- An innovative interactive catalogue of teas, which not only enables customers to buy the product, but also enables them to provide feedback by rating the teas (which will influence his stock purchasing levels)
- Provide the customer with the ability to use secure credit card transactions
- Provide the customer to give general feedback

Ken selects an iterative model for the development of the prototypes. The team consists of three developers that are experienced in web development. Ken, although he doesn't have technical skillset, is concerned with quality. He doesn't believe a lot of documentation is necessary and he wants the website to be completed quickly.

The test basis contains the following:

- Story boards that show the information flow and page links through the site
- HTML pages developed to date.
- A statement of non-functional requirements.

With the strategy taking shape, Ken asks your advice on the specific testing techniques that should be used to complete the required testing, bearing in mind the nature of the application and the nature of Ken's overall objectives.

Which TWO of the following items may more frequently need to be explained in greater detail for non-functional defect reports than for a functional defect report?

[K2] 1 credit

- A. Expected results
- B. Steps to reproduce the defect
- C. Test data used to identify the fault
- D. Level of load on the system at the time of failure
- E. Actual results

ANSWER: A D**QUESTION NO: 10**

For an ATM banking project introduced earlier, “When the user first inserts a valid credit card type, the system considers the user to be in an unauthenticated state. When requesting a cash advance, the user must be in an authenticated state. The user authenticates by entering the proper PIN code. When authenticating the user, the system shall allow the user to enter their PIN code up to three times before failing the authentication and rejecting the card. On the first and second try, the system shall prompt the user to re-enter the PIN code.”

Suppose you are concerned that, depending on the exact number of invalid PIN codes entered, the system might behave improperly. Which of the following test design techniques is specifically targeted at such failures?

[K4] 3 credits

- A. Equivalence Partitioning extended by boundary value analysis
- B. Pairwise Testing with orthogonal arrays
- C. State Transition Testing using 1-switch coverage
- D. Classification Tree Method

ANSWER: C