

DUMPS ARENA

Huawei Certified ICT Professional - Constructing Infrastructure of Security Network

Huawei H12-721

Version Demo

Total Demo Questions: 15

Total Premium Questions: 245

Buy Premium PDF

<https://dumpsarena.co>

sales@dumpsarena.co

sales@dumpsarena.co
dumpsarena.co

QUESTION NO: 1

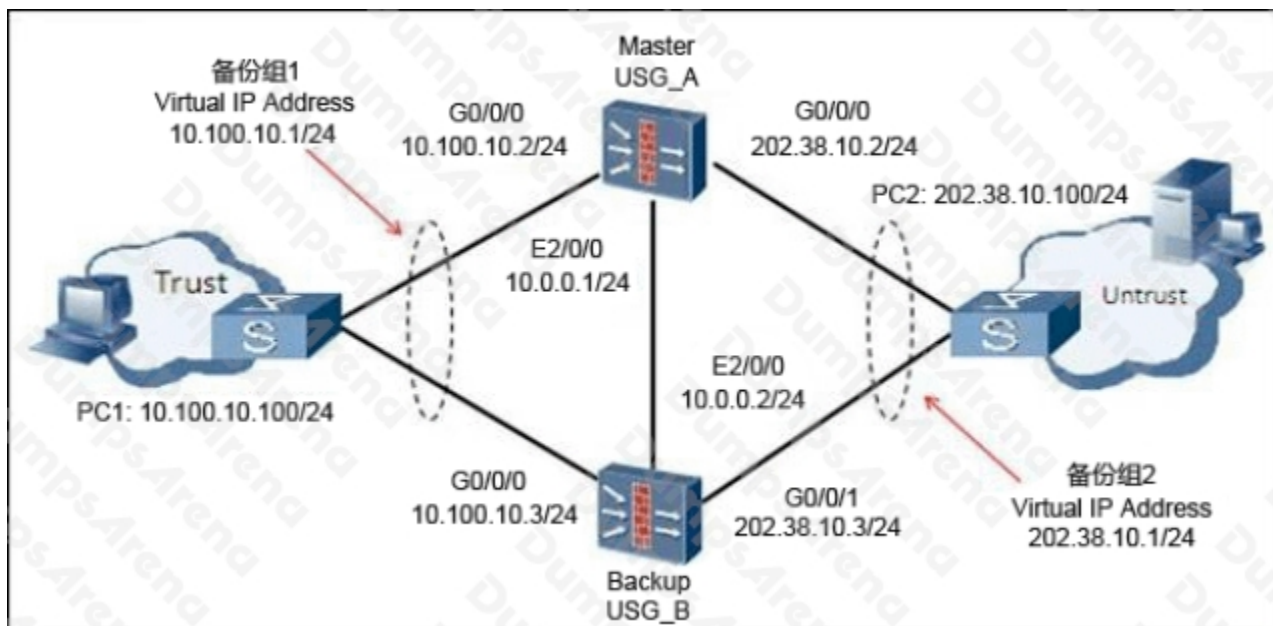
Regarding IKEv1 and IKEv2, which of the following is not correct?

- A. IKEv2 builds a pair of IPsec SA, normally used twice to exchange four messages that can be used to establish a pair of IPsec Security Associations.
- B. IKE version 2 does not support master mode, it uses the concept of savage mode.
- C. To create the next pair of IPsec SA IKEv1 Main Mode requires only six messages.
- D. IKEv2 IPsec SA established more than a pair, each additional SA on just one exchange, that is, two messages can be completed.

ANSWER: C

QUESTION NO: 2

In the dual hot standby network diagram shown below, figure PC1 gateway address should be the IP address of the main contact with the device, namely 10.100.10.2/24.



- A. TRUE
- B. FALSE

ANSWER: B

QUESTION NO: 3

About BFD detection mechanism, the following statement is correct? (Choose two answers)

- A. BFD control packets are encapsulated in TCP packets
- B. BFD provides two detection modes: asynchronous and synchronous mode
- C. After the establishment of a BFD session, both systems periodically send BFD control packets
- D. At the beginning of the session, the two sides negotiate through the control system carried in the packet parameters

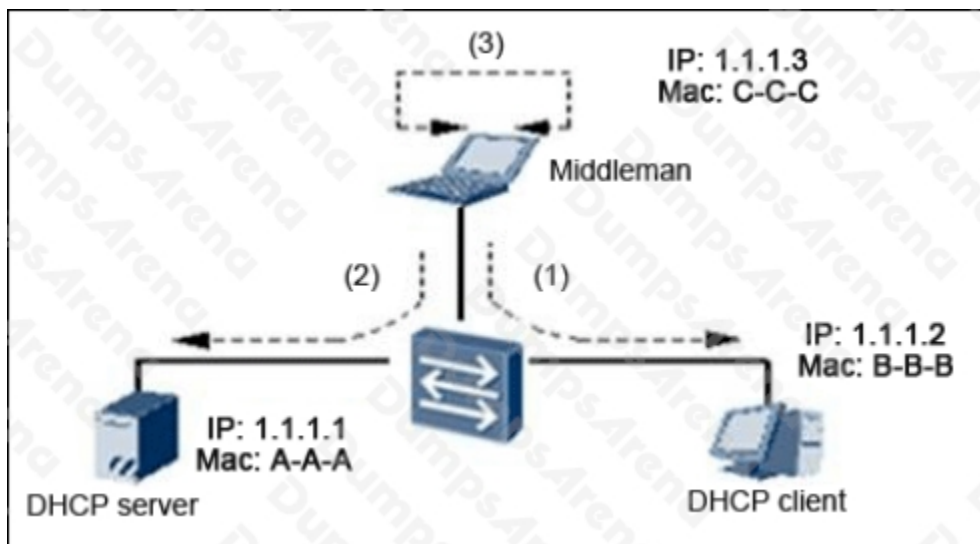
ANSWER: C D**QUESTION NO: 4**

In the Huawei abnormal flow cleaning solution, deployed at the scene of a bypass, the re-injection scheme can be used to have which of the following? (Choose three answers)

- A. routing strategy
- B. MPLS VPN tunnel mode
- C. routing
- D. Layer 2 VPN mode

ANSWER: A B C**QUESTION NO: 5**

A man in the middle attack refers to an intermediate that sees the data exchange between server and client. To the server, all messages appear to be sent to or received from the client; and to the client all the packets appear to have been sent to or received from the server. If a hacker is using the man-in-the-middle attack, the hacker will send at least two data packets as shown to achieve this attack.



Which of the following packet 1 and packet 2 Field Description is correct? (Choose two answers)

- A. Packet 1:**
 Source IP 1.1.1.1
 Source MAC C-C-C
 The purpose of IP 1.1.1.2
 The purpose of Mac B-B-B
- B. Packet 1:**
 Source IP 1.1.1.3
 Source MAC C-C-C
 The purpose of IP 1.1.1.2
 The purpose of Mac B-B-B
- C. Packet 2:**
 Source IP 1.1.1.2
 Source MAC C-C-C
 The purpose of IP 1.1.1.1
 The purpose of Mac A-A-A
- D. Packet 2:**
 Source IP 1.1.1.3
 Source MAC C-C-C
 The purpose of IP 1.1.1.1
 The purpose of Mac A-A-A

ANSWER: A C

QUESTION NO: 6

An IPsec VPN connection established by two USG firewalls in NAT traversal mode fail to see any information from the “display ike sa” command. Neither session information nor UDP port 500 information is displayed. What are possible reasons for this? (Choose two answers)

- A. public network unreachable.**

- B. middle device blocking UDP 500 port.
- C. middle device blocking UDP 4500 port.
- D. middle device blocking ESP packets.

ANSWER: A B

QUESTION NO: 7

When using optical Bypass Interface, Bypass link has two operating modes, automatic mode and forced mode.

- A. TRUE
- B. FALSE

ANSWER: A

QUESTION NO: 8

In the use of virtual firewall technology: The two VPN users can travel over the public network Root VFW, log on to their respective private network VPN and get direct access to the private network resources.

According to the characteristics of VPN Firewall that provides multiple instances of business, which of the following statements is correct? (Choose three answers)

- A. safe, VPN user authentication and authorization access through the firewall, after a visit with independent access virtual firewall system for users to manage different resources VPN users are completely isolated.
- B. VPN flexible and reliable access to support from the public network to the VPN, can also support VPN to VPN from two modes.
- C. easy to maintain, the user does not have superuser privileges on the system administrator account can manage the entire firewall (including each virtual firewall service).
- D. strict access control permissions, firewall can control access VPN access permissions based on user name, password, so that employees can make a business trip, the super user (VPN require access to different resources), such as different users with different access rights.

ANSWER: A B D

QUESTION NO: 9

Enabling DHCP Snooping feature avoids Bogus DHCP Server attacks. Which of the following statements is correct?

- A. Connect the user interface to configure the firewall to be trusted.
- B. DHCP Server firewall connection to untrusted interface configuration mode.

- C. Untrusted mode interface receives a DHCP Relay packets will all be discarded.
- D. Trusted DHCP Relay interface to receive packets, and can only be checked by DHCP Snooping through.

ANSWER: C

QUESTION NO: 10

In the TCP / IP protocol, TCP protocol provides reliable connectivity service using three-way handshake to achieve.

The first handshake: establish a connection, the client sends a SYN packet (SYN = J) to the server, and enter SYN_SENT state, waiting for the server to confirm.

Second handshake: the server receives a SYN packet and must issue an ACK packet (ACK = ①) to confirm the client's SYN packet, but he is sending a SYN packet (SYN = K), ie, SYN-ACK packets, the server enters SYN_RCVD state.

Third handshake: the client receives the SYN-ACK packet, the server sends an acknowledgment packet ACK (SYN = ② ASK = ③), this package has been sent, the client and server enter into the ESTABLISHED state, completing the three-way handshake.

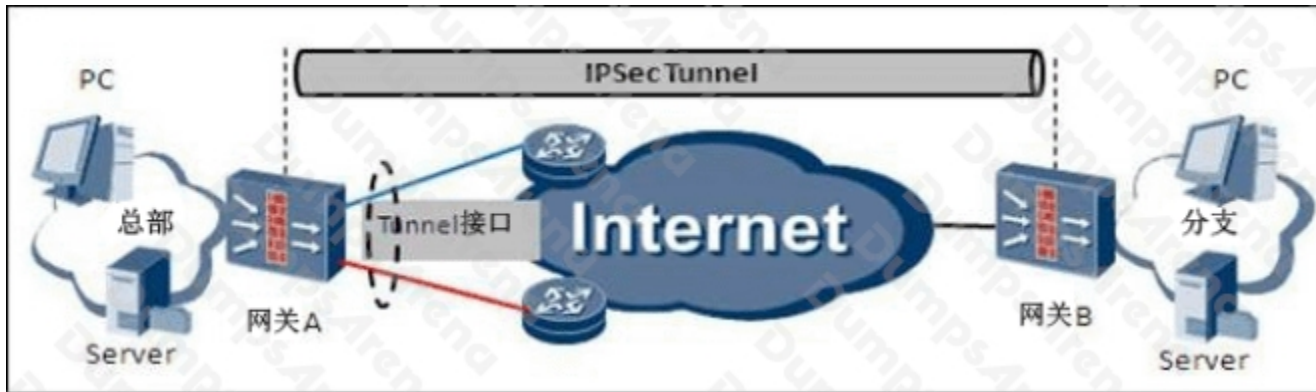
About three-way handshake during the three parameters, which of the following statements is correct?

- A. ① = J + 1
② = J + 1
③ = K + 1
- B. ① = J
② = K + 1
③ = J + 1
- C. ① = J + 1
② = K + 1
③ = J + 1
- D. ① = J + 1
② = J
③ = K + 1

ANSWER: A

QUESTION NO: 11

IPsec tunneling is used as a backup connection as shown below:



Which of the following statements are true about the tunnel interface? (Choose two answers)

- A. IPsec security policy should be applied to the tunnel interface
- B. Protocol for the Tunnel Interface must be GRE.
- C. Tunnel interface needs to be configured on the IP address and the IP address of the gateway. The external network IP address of the outgoing interface must be in the same network segment.
- D. Tunnel interfaces can be added to any security zone, provided they have the appropriate inter-domain security policies.

ANSWER: A D

QUESTION NO: 12

In IKE V1 stage 1 pre-shared key with Main Mode exchange process, the SA is established after which messages?

- A. message 1 and message 2
- B. message 3 and message 4
- C. message 5 and message 6
- D. message 7 and message 8

ANSWER: A

QUESTION NO: 13

Refer to the following NIP firewall intrusion detection actions:

- 1 records the invasion process, alarm logging
2. NIP attack detection
- 3 reconfigure the firewall
- 4 Termination invasion

Which of the following is the correct sequence of events?

- A. 1 -> 2 -> 3 -> 4
- B. 2 -> 1 -> 3 -> 4
- C. 3 -> 1 -> 2 -> 4
- D. 1 -> 2 -> 4 -> 3

ANSWER: B

QUESTION NO: 14

The IKE first stage main mode negotiation process includes the following information? (Choose three answers)

- A. IKE proposal set
- B. IPsec proposal set
- C. DH key exchange public information
- D. Both sides identity

ANSWER: A C D

QUESTION NO: 15

Interface management information and service control information are transmitted on the same channel.

- A. TRUE
- B. FALSE

ANSWER: B